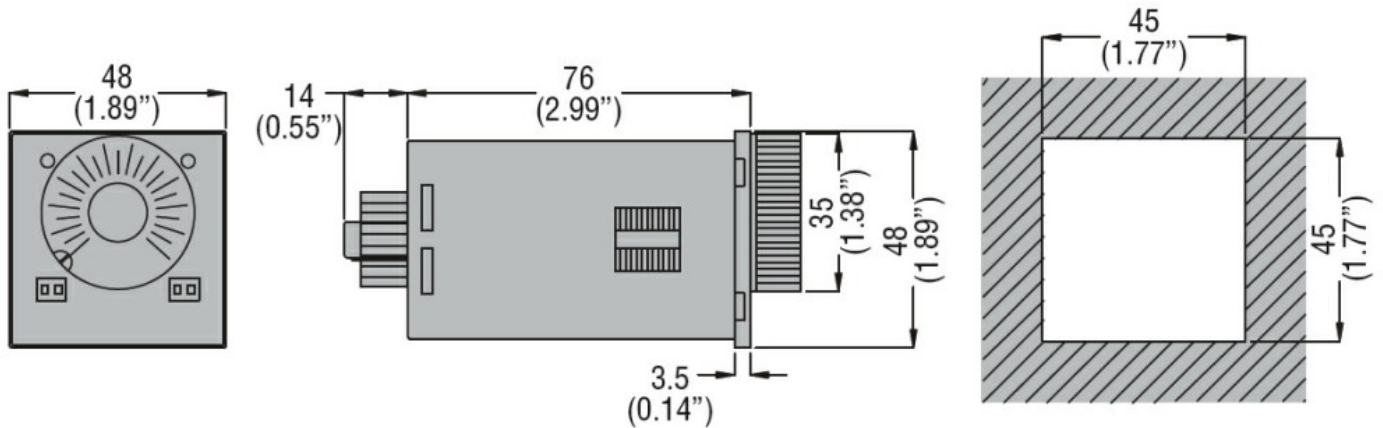




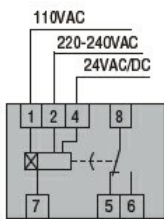
Product designation	Time relay		
Product type designation	L48TP		
<b>General characteristics</b>			
Description	On delay time relay, multiscale and multivoltage, plug-in version		
Function	On delay		
<b>Supply circuit</b>			
Rated auxiliary supply voltage $U_s$	24VAC/DC; 110VAC; 220...240VAC		
Rated frequency	Hz	50/60	
Operating voltage range	0.85...1.1 $U_s$		
Maximum power consumption / dissipation	W	6VA	
Immunity time for microbreakings	ms	≤40	
<b>Timing circuit</b>			
Time setting range	18s...780min		
Setting accuracy	%	±5	
Repeat accuracy	%	±0.5	
Influence of voltage variation	%	±0.5	
Resetting time			
	During timing	ms	≥100
	Elapsed time	ms	≥65
<b>Relay outputs</b>			
Number of relays	Nr.	1	
Contact arrangement	1 delayed C/O		
Maximum switching voltage	VAC	250	
IEC Conventional free air thermal current $I_{th}$	A	5	
UL/CSA and IEC/EN 60947-5-1 designation	B300		
<b>Insulation (input-output)</b>			
Rated insulation voltage $U_i$	V	250	
Power frequency withstand voltage	kV	2	
<b>Operations</b>			
Mechanical life	cycles	30000000	
Electrical life (with rated load)	cycles	100000	
<b>Ambient conditions</b>			
Temperature			
Operating temperature			
	min	°C	-10
	max	°C	+60
Storage temperature			
	min	°C	-30
	max	°C	+80
<b>Housing</b>			

Material	Self-extinguishing polyamide	
Mounting	Plug-in housing with 8-pin socket	
Degree of protection	IP40 on front, IP20 terminals	
Dimensions (W x H x D)	mm	48 x 48 x 90
Weight	g	124

**Dimensions**



**Wiring diagrams**



**Certifications and compliance**

**Compliance**

CSA C22.2 n°14  
IEC/EN 61812-1  
UL508

**Certificates**

cURus  
EAC

**ETIM classification**

ETIM 8.0

EC001439 -  
Timer relay