



### General characteristics

Description	On delay time relay, multiscale and multivoltage, plug-in version
Function	On delay

### Supply circuit

Rated auxiliary supply voltage $U_s$	24VAC/DC; 110VAC; 220... 240VAC
Rated frequency	Hz 50/60
Operating voltage range	0.85...1.1 $U_s$
Maximum power consumption / dissipation	W 6VA
Immunity time for microbreakings	ms $\leq 40$

### Timing circuit

Time setting range	0.3s...780s	
Setting accuracy	% $\pm 5$	
Repeat accuracy	% $\pm 0.5$	
Influence of voltage variation	% $\pm 0.5$	
Resetting time		
	During timing	ms $\geq 100$
	Elapsed time	ms $\geq 65$

### Relay outputs

Number of relays	Nr. 1
Contact arrangement	1 delayed C/O
Maximum switching voltage	VAC 250
IEC Conventional free air thermal current $I_{th} \leq 40^\circ\text{C}$	A 5
UL/CSA and IEC/EN 60947-5-1 designation	B300

### Insulation (input-output)

Rated insulation voltage $U_i$	V 250
Power frequency withstand voltage	kV 2

### Operations

Mechanical life	cycles 30000000
Electrical life (with rated load)	cycles 100000

### Ambient conditions

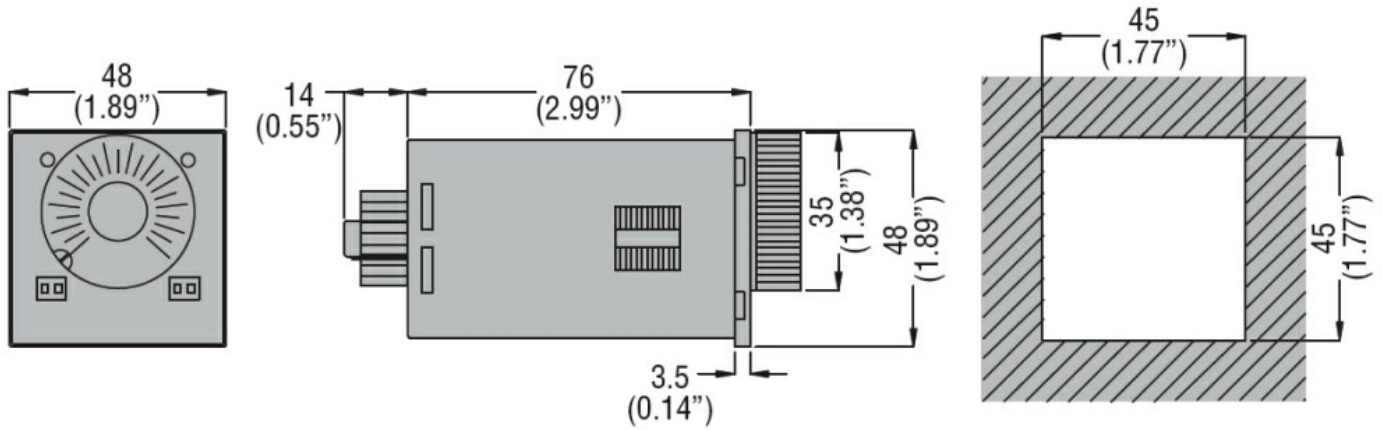
Temperature			
	Operating temperature		
		min $^\circ\text{C}$	-10
		max $^\circ\text{C}$	+60
	Storage temperature		
		min $^\circ\text{C}$	-30
		max $^\circ\text{C}$	+80

### Housing

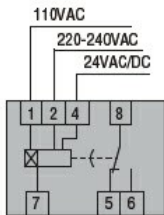
Material	Self-extinguishing polyamide
----------	------------------------------

Mounting	Plug-in housing with 8-pin socket	
Degree of protection	IP40 on front, IP20 terminals	
Dimensions (W x H x D)	mm	48 x 48 x 90
Weight	g	124

### Dimensions



### Wiring diagrams



### Certifications and compliance

#### Compliance

CSA C22.2 n°14  
IEC/EN 61812-1  
UL508

#### Certificates

cURus  
EAC

### ETIM classification

ETIM 8.0

EC001439 -  
Timer relay