



Auxiliary supply			
Supply voltage Type			Single voltage
Rated auxiliary supply voltage Us			
AC			
	min	VAC	24
Operating voltage range			0.85...1.1 Us
Rated frequency		Hz	50/60
Power consumption Max		VA	5.5
Power dissipation Max		W	2.8
Output characteristics			
Number of connectable electrodes		Nr.	3
Type of electrode			Electrode and electrode holders: SN1 / SCM / CGL / PS31 / PS3S or similar
Electrode voltage			9VAC (voltage between probes)
Sensitivity		kΩ	7...8 fixed
Time delay			
Tripping time		s	≤0.05
Resetting time		s	≤0.1
Relay outputs			
Number of relays		Nr.	1
Relay state			Normally de-energised, energises at tripping
Contact arrangement			1 changeover contact C/O-SPDT
Rated operational voltage AC (IEC)		VAC	220
Maximum switching voltage		VAC	380
IEC Conventional free air thermal current Ith ≤ 40°C		A	5
UL/CSA and IEC/EN 60947-5-1 designation			B300
Electrical life (with rated load)		cycles	2.5 x 10 ⁵
Mechanical life		cycles	50x10 ⁶
Indications			
Indication			1 red LED for relay state
Connections			
Terminals type			plug-in
Insulations			
Rated insulation voltage Ui		V	415
Rated impulse withstand voltage Uimp		kV	5

Operating frequency withstand voltage	kV	2
---------------------------------------	----	---

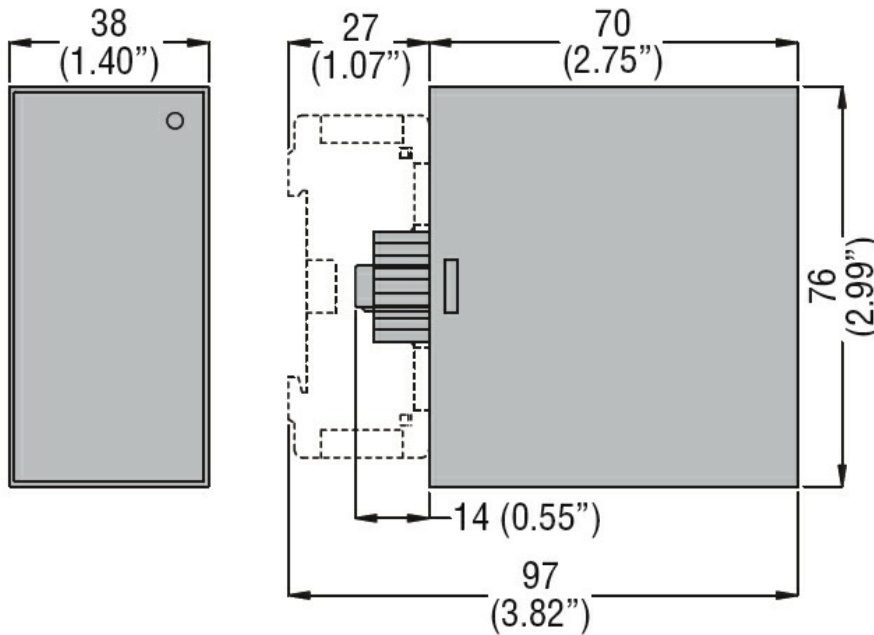
Ambient conditions

Temperature			
Operating temperature			
	min	°C	-20
	max	°C	+60
Storage temperature			
	min	°C	-30
	max	°C	+80

Housing

Execution	8-pin plug-in housing (socket S8)
Material	Self-extinguishing polycarbonate
Mounting	35mm DIN rail (IEC/EN 60715) or 8-pin plug-in housing
IEC degree of protection	IP30
Dimensions (W x H x D)	mm 38 x 76 x 70
Weight	g 263

Dimensions



Wiring diagrams

