



**Connections**

Terminals type Faston

**Ambient conditions**

Temperature

Operating temperature

max °C +70

Maximum operating pressure

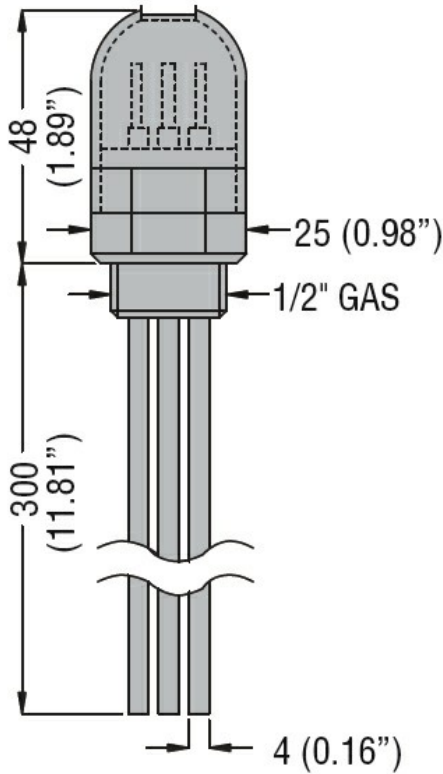
bar 2

**Housing**

Weight

g 120

**Dimensions**



**Certifications and compliance**

Compliance

/

Certificates

EAC

**ETIM classification**

ETIM 8.0

EC010106 -  
 Liquid level  
 sensor