



**Connections**

Terminals type Screw

**Ambient conditions**

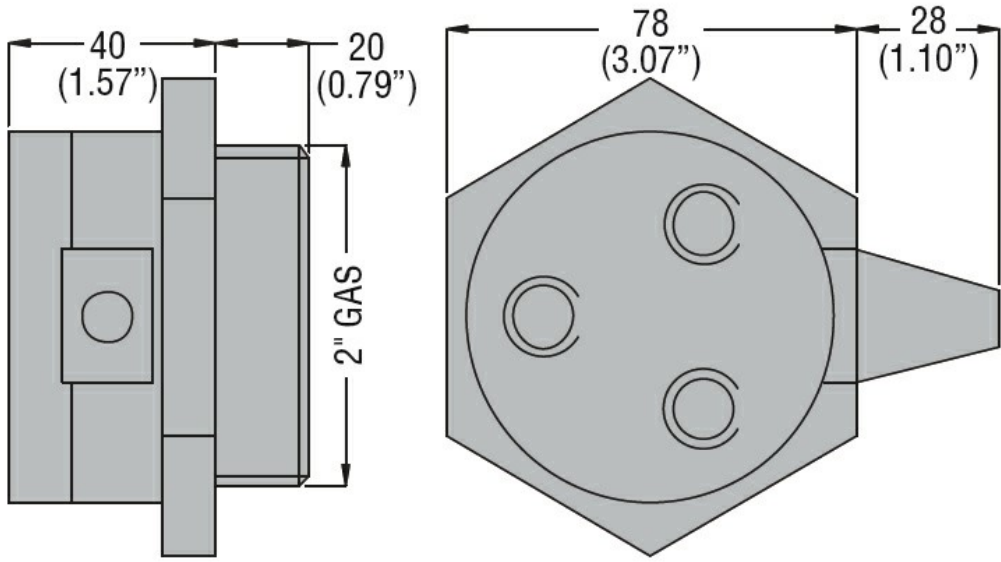
Temperature

Operating temperature	max	°C	+100
-----------------------	-----	----	------

**Housing**

Weight g 184

**Dimensions**



**Certifications and compliance**

Compliance /

Certificates EAC

**ETIM classification**

ETIM 8.0 EC010106 -  
Liquid level  
sensor