



General characteristics

Description	Compact, 1 operating threshold
Residual operation characteristic	Type A
N° of operating threshold	1

Control circuit

Toroidal transformer	Incorporated diam. 80mm/3.15"
----------------------	-------------------------------

Adjustments

Tripping set-point ($I\Delta n$)	(x0.1)	A	0.025...0.25
	(x1)	A	0.25...2.5
	(x10)	A	2.5...25
Tripping delay time	(tx1)	s	0.02...0.5
	(tx10)	s	0.2...5

Selection of multiplier for $I\Delta n$ and t	By dip switches
---	-----------------

Resetting	Configurable automatic or manual by button on front
-----------	---

Test Button	Yes
-------------	-----

Shunt circuit control	No
-----------------------	----

Auxiliary supply

Auxiliary rated supply voltage U_s	24-48VAC/DC
--------------------------------------	-------------

Output contacts	1
-----------------	---

Rated frequency	Hz	50...60
-----------------	----	---------

Power consumption Max	VA	3
-----------------------	----	---

Relay outputs

Relay state	Normally de-energised
-------------	-----------------------

Contact arrangement	1 changeover SPDT (trip)
---------------------	--------------------------

Rated contact capacity IEC Ith	5A - 250VAC
--------------------------------	-------------

Insulations

Power frequency withstand voltage	kV	2.5kV for 60s
-----------------------------------	----	---------------

Indications

Auxiliary voltage available (ON)	Green LED
----------------------------------	-----------

Relay tripping (TRIP)	Red LED
-----------------------	---------

Connections

Terminals type	Fixed
----------------	-------

Tightening torque for terminals	max	Nm	0.5
	max	lbin	4.5

Conductor section

AWG/Kcmil

min	24
max	12

IEC

min	mm ²	0.2
max	mm ²	2.5

Operations

Mechanical life cycles 50000000

Electrical life cycles 300000

Ambient conditions

Temperature

Operating temperature

min	°C	-10
max	°C	+60

Storage temperature

min	°C	-20
max	°C	+80

Relative humidity

% ≤90%

Housing

Material

Self-extinguishing polycarbonate

Mounting

35mm DIN rail

Degree of protection

IP20 terminals

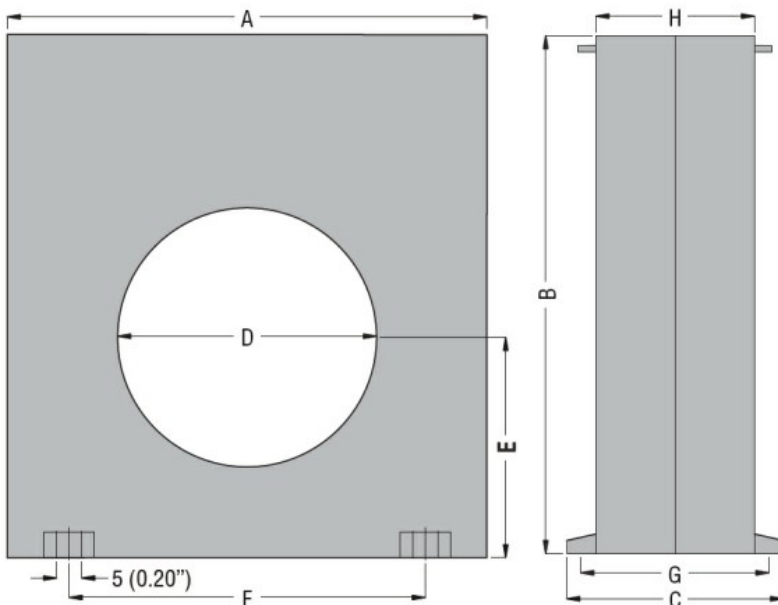
Dimensions (W x H x D)

mm 150x160x70

Weight

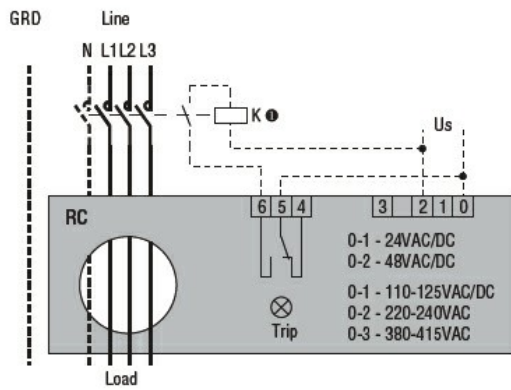
g 485

Dimensions



TYPE	A	B	C	D	E	F	G	H
RC35	100 (3.94")	110 (4.33")	70 (2.75")	35 (1.38")	47 (1.85")	60 (2.36")	60 (2.36")	50 (1.97")
RC60	100 (3.94")	110 (4.33")	70 (2.75")	60 (2.36")	47 (1.85")	60 (2.36")	60 (2.36")	50 (1.97")
RC80	150 (5.90")	160 (6.30")	70 (2.75")	80 (3.15")	70 (2.75")	110 (4.33")	60 (2.36")	50 (1.97")
RC110	150 (5.90")	160 (6.30")	70 (2.75")	110 (4.33")	70 (2.75")	110 (4.33")	60 (2.36")	50 (1.97")

Wiring diagrams



Certifications and compliance

Compliant with standards

IEC/EN 60947-2

Certificates

EAC

ETIM classification

ETIM 8.0

EC001445 -
Residual current
monitoring relay