



Connections

Conductor cross section

AWG/Kcmil

Max AWG 2 x 14

IEC

Max mm² 2 x 2.5

Housing

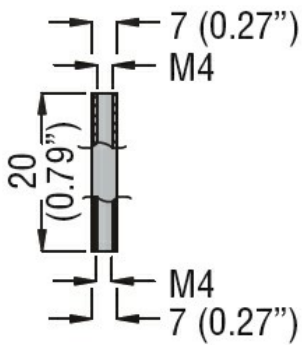
Dimensions (W x H x D)

mm 7 x 20 x 7

Weight

g 8

Dimensions



Certifications and compliance

Compliance

/

Certificates

EAC

ETIM classification

ETIM 8.0

EC002498 -
Accessories/spare
parts for low-
voltage switch
technology