



General characteristics

Description	Modular with transparent cover, 1 operating threshold
Residual operation characteristic	Type A
N° of operating threshold	1

Control circuit

Toroidal transformer	Incorporated diam. 28mm/1.1"
Adjustments	
Tripping set-point ($I\Delta n$)	(x0.1) A 0.025...0.25 (x1) A 0.25...2.5 (x10) A 2.5...25
Tripping delay time	(tx1) s 0.02...0.5 (tx10) s 0.2...5
Selection of multiplier for $I\Delta n$ and t	By dip switches

Resetting	Configurable automatic or manual by button on front
Test Button	Yes
Shunt circuit control	No

Auxiliary supply

Auxiliary rated supply voltage U_s	110... 125VAC/DC;220... 240/380... 415VAC
Operational limits	110... 125VAC/DC or 220...240VAC or 380...415VAC
Output contacts	2
Rated frequency	Hz 50...60
Power consumption Max	VA 3

Relay outputs

Relay state	Configurable normally de-energised or energised
Contact arrangement	2 changeover SPDT each (both trip)
Rated contact capacity IEC I_{th}	5A - 250VAC

Insulations

Power frequency withstand voltage	kV	2.5kV for 60s
-----------------------------------	----	---------------

Indications

Auxiliary voltage available (ON)	Green LED
Relay tripping (TRIP)	Red LED

Connections

Terminals type	Fixed
----------------	-------

Tightening torque for terminals

max	Nm	0.5
max	lbin	4.5

Conductor section

AWG/Kcmil

min	24
max	12

IEC

min	mm ²	0.2
max	mm ²	2.5

Operations

Mechanical life	cycles	50000000
Electrical life	cycles	300000

Ambient conditions

Temperature

Operating temperature

min	°C	-10
max	°C	+60

Storage temperature

min	°C	-20
max	°C	+80

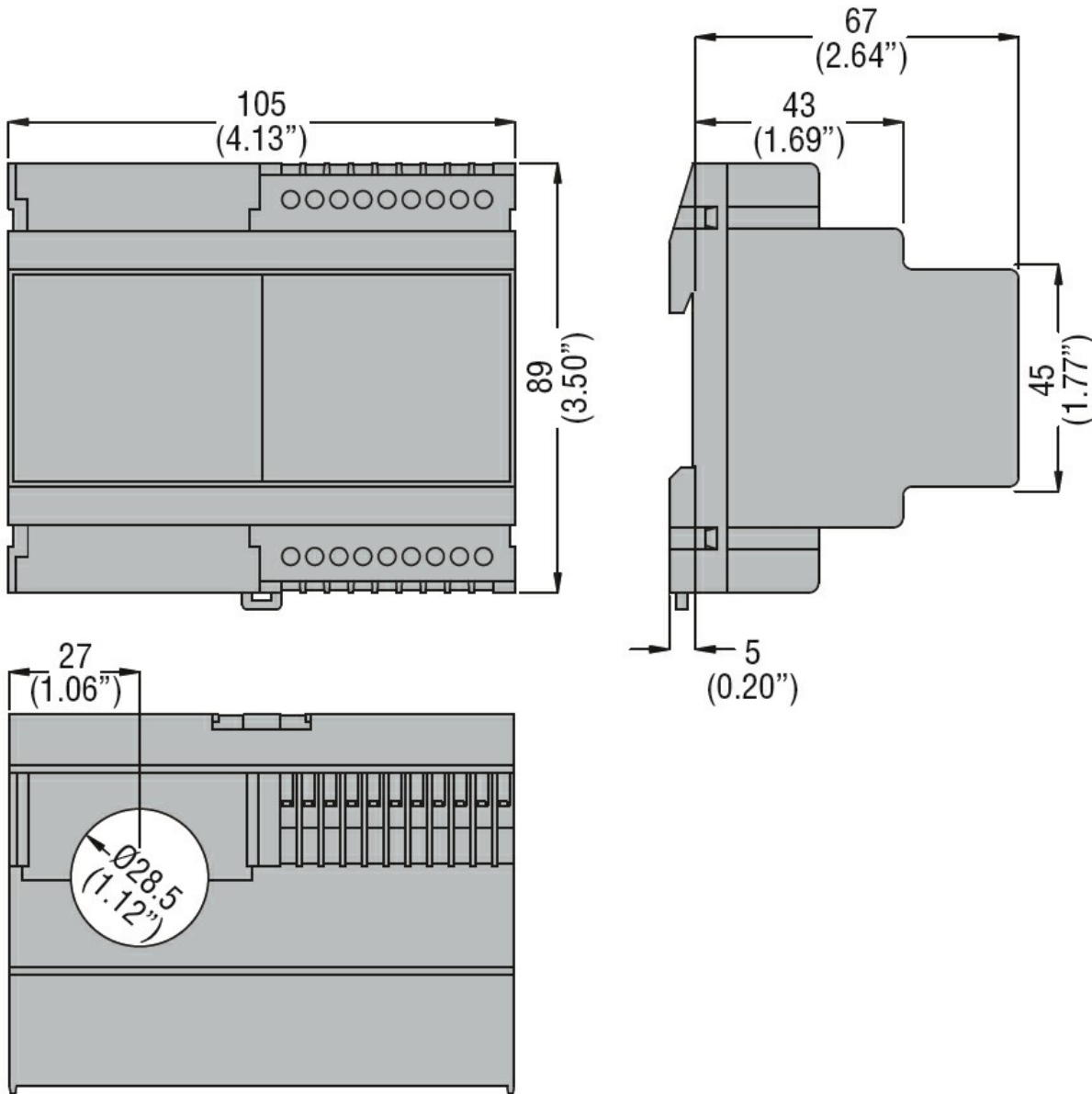
Relative humidity

% ≤90%

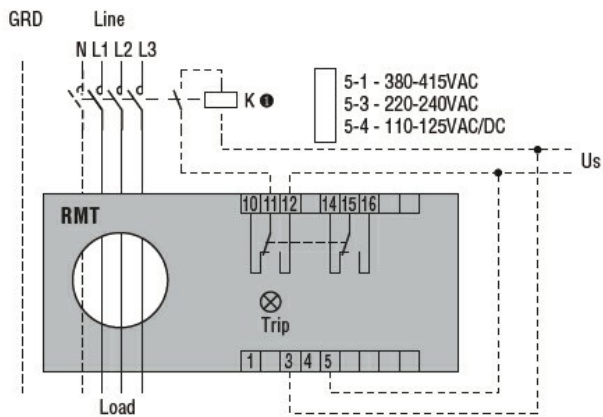
Housing

Material	Self-extinguishing polycarbonate
Mounting	35mm DIN rail
Degree of protection	IP20 terminals
Dimensions (W x H x D)	mm 105x89x72
Weight	g 375

Dimensions



Wiring diagrams



Certifications and compliance

Compliant with standards

IEC/EN 60947-2

Certificates

EAC

ETIM classification

ETIM 8.0

EC001445 -
Residual current
monitoring relay