



**Connections**

Terminals type Threaded rod with nut

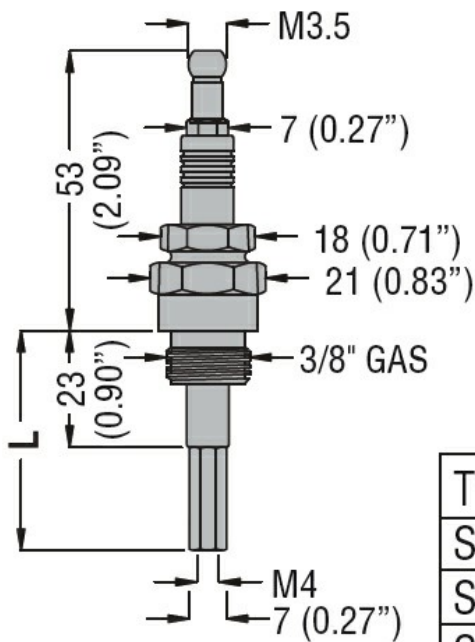
**Ambient conditions**

Temperature	Operating temperature	max	°C	+100
Maximum operating pressure			bar	10

**Housing**

Weight g 162

**Dimensions**



TYPE	L
SCM04	43 (1.69")
SCM50	500 (19.68")
SCM100	1000 (39.37")

**Certifications and compliance**

Compliance /

Certificates EAC

**ETIM classification**

ETIM 8.0 EC010106 - Liquid level sensor