

**General characteristics**

Switching diagram	12 - Star-delta motor starter switch
N° of elements	4
Mounting form	O - Rear mounting with black handle

**Contact characteristics**

Rated insulation voltage $U_i$	IEC/EN	V	690
	UL/CSA	V	600
Rated impulse withstand voltage $U_{imp}$		kV	6
Conventional free air thermal current $I_{th}$	IEC/EN	A	125
	UL/CSA	A	130
Rated operational voltage		V	690
Rated operational impulse voltage		kV	6
Maximum fuse size for short-circuit protection $I_n$ (gG)	10kA	A	125
	15kA	A	100
	25kA	A	100
	50kA	A	100
	63kA	A	100
Rated short time current $I_{cw}$	1s	kA	2100
			10/5 mA/V
Conductivity			10/5 mA/V
Operational current $I_e$ IEC/EN	AC1/AC21A	A	125
	AC15		
Rated operational power in AC	110V	A	40
	220/230V	A	28
	380/400V	A	15
	660/690V	A	5
Three-phase AC-3	220/230V	kW	18.5
	380/440V	kW	37
	500/690V	kW	33
Single-phase AC-3	110V	kW	5
	220/230V	kW	11
	380/440V	kW	15
Three-phase AC23A	220/230V	kW	30
	380/440V	kW	45
	500/690V	kW	37
Single-phase AC23A	110V	kW	5
	220/230V	kW	11
	380/440V	kW	15
Rated operational current in DC			

DC21A	48V	A	125
	60V	A	80
	110V	A	10
	220V	A	1.2

DC23A (poles in series)	24V	A	125 (1)
	48V	A	125 (2)
	60V	A	125 (3)
	110V	A	50 (3)
	220V	A	20 (4)

DC13	24V	A	125
	48V	A	100
	60V	A	50
	110V	A	4

Power dissipation	W	6.3
-------------------	---	-----

**Mechanical features**

Terminals screw	M2X5
-----------------	------

Tightening torque for terminals max	Nm	2
-------------------------------------	----	---

**Conductor size**

AWG - Rigid cable	min	AWG	14
	Max	AWG	1/0

AWG - Flexible cable	min	AWG	14
	Max	AWG	1/0

Conductor size (IEC) - Flexible cable	min	mm <sup>2</sup>	2.5
	Max	mm <sup>2</sup>	50

Conductor size (IEC) - Rigid cable	min	mm <sup>2</sup>	2.5
	Max	mm <sup>2</sup>	50

Mechanical life	cycles	1X10 <sup>6</sup>
-----------------	--------	-------------------

**UL technical data**

Motor power for direct-on-line control for three-phase motor	120V	HP	15	
	240V	HP	25	
	480V	HP	50	
	600V	HP	40	
	for single-phase motor			
	120V	HP	5	
	240V	HP	15	

**Ambient conditions**

Temperature	Operating temperature	min	°C	-25
		max	°C	+55
	Storage temperature	min	°C	-40
		max	°C	+70

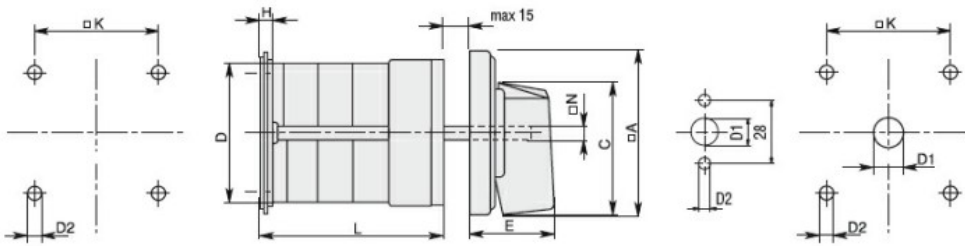
**Resistance & Protection**

Frontal IP degree	IP40
-------------------	------

Terminals IP degree

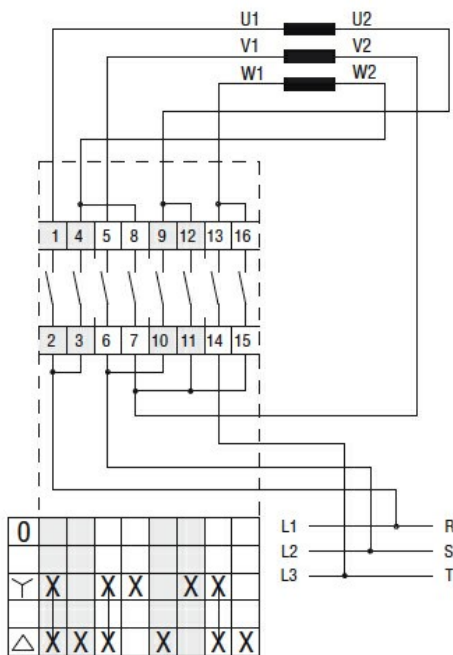
IP00

**Dimensions**



Series	Dimensions								L Number of elements											
	□A	C	ØD	ØD2	E	H	□K	□N	1	2	3	4	5	6	7	8	9	10	11	12
7GN12	48	39.5	39	5	26.5	5	36	6	38.1	47.8	57.5	67.2	76.9	86.6	96.3	106	115.7	125.4	135.1	144.8
7GN20	48	39.5	39	5	26.5	5	36	6	38.1	47.8	57.5	67.2	76.9	86.6	96.3	106	115.7	125.4	135.1	144.8
7GN25	48	39.5	43	5	26.5	5	36	6	42.5	56.1	69.7	83.3	96.9	110.5	124.1	137.7	151.3	164.9	178.5	192.1
7GN32	65	53	58	5	34.5	5.5	48	7	48.5	63.6	78.7	93.8	108.9	124	139.1	154.2	169.3	184.4	199.5	214.6
7GN40	65	53	58	5	34.5	5.5	48	7	48.5	63.6	78.7	93.8	108.9	124	139.1	154.2	169.3	184.4	199.5	214.6
7GN63	65	53	62	6	34.5	7.5	68	7	53.3	71.4	89.5	107.6	125.7	143.8	161.9	180	198.1	216.2	234.3	252.4
7GN125	90	70.5	86	6	41.4	7.5	68	9	74.8	103.9	133	162.1	191.2	220.3	249.4	278.5	307.6	336.7	365.8	394.9

**Wiring diagrams**



**Certifications and compliance**

Compliance

- CSA C22.2 n° 14
- IEC/EN/BS 60947-1
- IEC/EN/BS 60947-3
- IEC/EN/BS 60947-5-1
- UL60947-4-1

Certificates

- EAC
- UL

**ETIM classification**

ETIM 8.0

EC001029 -  
Selector switch,  
complete