

General characteristics

Switching diagram	12 - Star-delta motor starter switch
N° of elements	4
Mounting form	P - Plastic enclosure with black handle

Contact characteristics

Rated insulation voltage U_i	IEC/EN	V	690	
	UL/CSA	V	600	
Rated impulse withstand voltage U_{imp}		kV	6	
Conventional free air thermal current I_{th}	IEC/EN	A	125	
	UL/CSA	A	130	
Rated operational voltage		V	690	
Rated operational impulse voltage		kV	6	
Maximum fuse size for short-circuit protection I_n (gG)	10kA	A	125	
	15kA	A	100	
	25kA	A	100	
	50kA	A	100	
	63kA	A	100	
Rated short time current I_{cw}	1s	kA	2100	
			10/5 mA/V	
Conductivity				
Operational current I_e IEC/EN	AC1/AC21A		A	125
	AC15			
	110V	A	40	
	220/230V	A	28	
	380/400V	A	15	
	660/690V	A	5	
Rated operational power in AC	Three-phase AC-3			
	220/230V	kW	18.5	
	380/440V	kW	37	
	500/690V	kW	33	
	Single-phase AC-3			
	110V	kW	5	
	220/230V	kW	11	
	380/440V	kW	15	
	Three-phase AC23A			
	220/230V	kW	30	
	380/440V	kW	45	
	500/690V	kW	37	
Single-phase AC23A				
110V	kW	5		
220/230V	kW	11		
380/440V	kW	15		
Rated operational current in DC				

DC21A	48V	A	125
	60V	A	80
	110V	A	10
	220V	A	1.2
<hr/>			
DC23A (poles in series)	24V	A	125 (1)
	48V	A	125 (2)
	60V	A	125 (3)
	110V	A	50 (3)
	220V	A	20 (4)
<hr/>			
DC13	24V	A	125
	48V	A	100
	60V	A	50
	110V	A	4

Power dissipation	W	6.3
-------------------	---	-----

Mechanical features

Terminals screw	M2X5
-----------------	------

Tightening torque for terminals max	Nm	2
-------------------------------------	----	---

Conductor size

AWG - Rigid cable	min	AWG	14
	Max	AWG	1/0

AWG - Flexible cable	min	AWG	14
	Max	AWG	1/0

Conductor size (IEC) - Flexible cable	min	mm ²	2.5
	Max	mm ²	50

Conductor size (IEC) - Rigid cable	min	mm ²	2.5
	Max	mm ²	50

Mechanical life	cycles	1X10 ⁶
-----------------	--------	-------------------

UL technical data

Motor power for direct-on-line control for three-phase motor	120V	HP	15
	240V	HP	25
	480V	HP	50
	600V	HP	40
<hr/>			
for single-phase motor	120V	HP	5
	240V	HP	15

Ambient conditions

Temperature			
Operating temperature	min	°C	-25
	max	°C	+55
<hr/>			
Storage temperature	min	°C	-40
	max	°C	+70

Resistance & Protection

Frontal IP degree	IP65
-------------------	------

Terminals IP degree

IP00

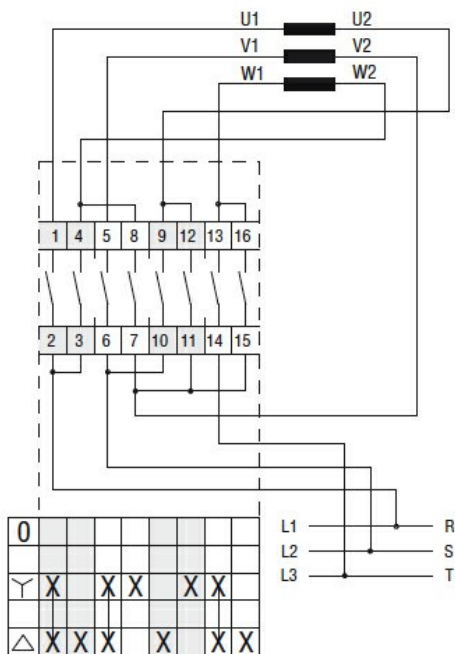
Dimensions

Series	Enclosure size	Number of elements		Dimensions										Cable entry	Protection degree
		L	L1	A	A1	C	C1	D	F	M	N	L	L1		
7GN12 [Ⓟ]	75x75 [Ⓟ]	1-2	3-4	75	75	50	64	4.5	19	14	28	57.5	79.8	4xPG13.5	IP65
7GN20 [Ⓟ]		1-2	3-4												
7GN25 [Ⓟ]		1	2-3												
7GN12 [Ⓟ]	90x90	1-3	4-6	90	90	79	63	4.5	25	19	30	71.3	98.3	4xPG16	IP65
7GN20 [Ⓟ]		1-3	4-6												
7GN25 [Ⓟ]		1-2	3-4												
7GN32		1	2-3												
7GN40		1	2-3												
7GN12	110x110	1-4	5-8	110	110	98.4	83	4.5	32	21	39.5	85.5	119.5	4xPG21	IP65
7GN20		1-4	5-8												
7GN25		1-3	4-5												
7GN32 [Ⓟ]		1-2	3-5												
7GN40 [Ⓟ]		1-2	3-5												
7GN63		1-2	3-4												
7GN32 [Ⓟ]	125x175	1-2	3-4	125	175	146	112	5.5	32	21	68	84.3	118.3	4xPG21 2xPG11	IP65
7GN40 [Ⓟ]		1-2	3-4												
7GN63 [Ⓟ]		1-2	3-4												
7GN125		1	2												
7GN32	198x248	-	1-7	198	248	190-210	140-180	5.5	32	35	104	-	166.5	6xPG16- 21-29	IP65
7GN40		-	1-7												
7GN63 [Ⓟ]		-	1-6												
7GN125 [Ⓟ]		-	1-4												

Ⓟ Standard dimensions for cam switch in plastic enclosure with black handle (P).

Ⓟ D Standard dimensions for cam switch in plastic enclosure with red/yellow handle padlockable in 0 (P25).

Wiring diagrams



Certifications and compliance

Compliance

IEC/EN/BS 60947-1

IEC/EN/BS 60947-3

IEC/EN/BS 60947-5-1

Certificates

EAC

ETIM classification

ETIM 8.0

EC001029 -
Selector switch,
complete