

### General characteristics

Switching diagram	56 - Changeover switch without 0 3 poles
N° of elements	3
Mounting form	O48 - Modular service cover for 35mm din rail mounting with black handle

### Contact characteristics

Rated insulation voltage $U_i$	IEC/EN	V	690	
	UL/CSA	V	600	
Rated impulse withstand voltage $U_{imp}$		kV	6	
Conventional free air thermal current $I_{th}$	IEC/EN	A	125	
	UL/CSA	A	130	
Rated operational voltage		V	690	
Rated operational impulse voltage		kV	6	
Maximum fuse size for short-circuit protection $I_n$ (gG)	10kA	A	125	
	15kA	A	100	
	25kA	A	100	
	50kA	A	100	
	63kA	A	100	
Rated short time current $I_{cw}$	1s	kA	2100	
	Conductivity		10/5 mA/V	
Operational current $I_e$ IEC/EN	AC1/AC21A	A	125	
	AC15	110V	A	40
220/230V		A	28	
380/400V		A	15	
660/690V		A	5	
Rated operational power in AC	Three-phase AC-3	220/230V	kW	18.5
		380/440V	kW	37
		500/690V	kW	33
	Single-phase AC-3	110V	kW	5
		220/230V	kW	11
		380/440V	kW	15
	Three-phase AC23A	220/230V	kW	30
		380/440V	kW	45
		500/690V	kW	37
	Single-phase AC23A	110V	kW	5
		220/230V	kW	11
		380/440V	kW	15

Rated operational current in DC  
DC21A

48V	A	125
60V	A	80
110V	A	10
220V	A	1.2

DC23A (poles in series)

24V	A	125 (1)
48V	A	125 (2)
60V	A	125 (3)
110V	A	50 (3)
220V	A	20 (4)

DC13

24V	A	125
48V	A	100
60V	A	50
110V	A	4

Power dissipation

W	6.3
---	-----

Mechanical features

Terminals screw

M2X5

Tightening torque for terminals max

Nm	2
----	---

Conductor size

AWG - Rigid cable

min	AWG	14
Max	AWG	1/0

AWG - Flexible cable

min	AWG	14
Max	AWG	1/0

Conductor size (IEC) - Flexible cable

min	mm <sup>2</sup>	2.5
Max	mm <sup>2</sup>	50

Conductor size (IEC) - Rigid cable

min	mm <sup>2</sup>	2.5
Max	mm <sup>2</sup>	50

Mechanical life

cycles	1X10 <sup>6</sup>
--------	-------------------

UL technical data

Motor power for direct-on-line control

for three-phase motor

120V	HP	15
240V	HP	25
480V	HP	50
600V	HP	40

for single-phase motor

120V	HP	5
240V	HP	15

Ambient conditions

Temperature

Operating temperature

min	°C	-25
max	°C	+55

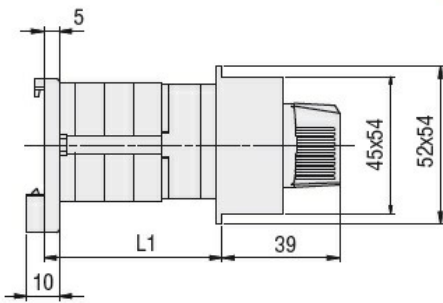
Storage temperature

min	°C	-40
max	°C	+70

Resistance & Protection

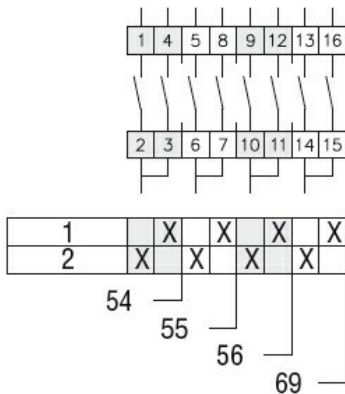
Frontal IP degree	IP40
Terminals IP degree	IP00

**Dimensions**



Series	L1		
	1	2	3
<b>7GN12</b>	38.1	47.8	57.5
<b>7GN20</b>	38.1	47.8	57.5
<b>7GN25</b>	42.5	56.1	69.7

**Wiring diagrams**



**Certifications and compliance**

**Compliance**

- CSA C22.2 n° 14
- IEC/EN/BS 60947-1
- IEC/EN/BS 60947-3
- IEC/EN/BS 60947-5-1
- UL60947-4-1

**Certificates**

- EAC
- UL

**ETIM classification**

ETIM 8.0

EC001029 -  
Selector switch,  
complete