



### General characteristics

|                   |  |
|-------------------|--|
| Switching diagram | 92 - ON/OFF switch 4 poles   |
| N° of elements    | 2  |
| Mounting form     | U65 - Front mounting with red/yellow handle padlockable in 0 and protection covers |

### Contact characteristics

|   |                  |    |           |
|---|------------------|----|-----------|
| Rated insulation voltage $U_i$                            | IEC/EN           | V  | 690       |
|   | UL/CSA           | V  | 600       |
| Rated impulse withstand voltage $U_{imp}$                 |                  | kV | 6         |
| Conventional free air thermal current $I_{th}$            | IEC/EN           | A  | 16        |
|   | UL/CSA           | A  | 15        |
| Rated operational voltage                                 |                  | V  | 480       |
| Rated operational impulse voltage                         |                  | kV | 4         |
| Maximum fuse size for short-circuit protection $I_n$ (gG) | 10kA             | A  | 16        |
|   | 15kA             | A  | 10        |
|   | 25kA             | A  | 10        |
| Rated short time current $I_{cw}$                         | 1s               | kA | 200       |
|   |                  |    | 10/5 mA/V |
| Conductivity  |                  |    | 10/5 mA/V |
| Operational current $I_e$ IEC/EN                          | AC1/AC21A        | A  | 16        |
|   | AC15             |    |           |
|   | 110V             | A  | 10        |
|   | 220/230V         | A  | 8         |
|   | 380/400V         | A  | 4         |
|   | 660/690V         | A  | 1.5       |
| Rated operational power in AC                             | Three-phase AC-3 |    |           |
|   |                  |    |           |
|   | 220/230V         | kW | 2.5       |
|   | 380/440V         | kW | 4         |
|   | 500/690V         | kW | 5.5       |
| Single-phase AC-3   |                  |    |           |
|   |                  |    |           |
|   | 110V             | kW | 0.8       |
|   | 220/230V         | kW | 1.5       |
|   | 380/440V         | kW | 2.2       |
| Three-phase AC23A   |                  |    |           |
|   | 220/230V         | kW | 3         |

|  |          |                 |                   |
|--|----------|-----------------|-------------------|
|  | 380/440V | kW              | 5.5               |
|  | 500/690V | kW              | 7.5               |
| Single-phase AC23A                     |          |                 |                   |
|  | 110V     | kW              | 0.8               |
|  | 220/230V | kW              | 1.7               |
|  | 380/440V | kW              | 3                 |
| Rated operational current in DC        |          |                 |                   |
| DC21A                                  |          |                 |                   |
|  | 48V      | A               | 12                |
|  | 60V      | A               | 12                |
|  | 110V     | A               | 4                 |
|  | 220V     | A               | 0.6               |
|  | 440V     | A               | 0.25              |
| DC23A (poles in series)                |          |                 |                   |
|  | 24V      | A               | 10 (1)            |
|  | 48V      | A               | 10 (2)            |
|  | 60V      | A               | 10 (3)            |
|  | 110V     | A               | 5 (3)             |
|  | 220V     | A               | 5 (4)             |
| DC13                                   |          |                 |                   |
|  | 24V      | A               | 12                |
|  | 48V      | A               | 10                |
|  | 60V      | A               | 8                 |
|  | 110V     | A               | 1                 |
|  | 220V     | A               | 0.4               |
|  | 440V     | A               | 0.15              |
| Power dissipation                      |          | W               | 0.8               |
| <b>Mechanical features</b>             |          |                 |                   |
| Terminals screw                        |          |                 | M3                |
| Tightening torque for terminals max    |          | Nm              | 0.5               |
| Conductor size                         |          |                 |                   |
| AWG - Rigid cable                      |          |                 |                   |
|  | min      | AWG             | 20                |
|  | Max      | AWG             | 12                |
| AWG - Flexible cable                   |          |                 |                   |
|  | min      | AWG             | 20                |
|  | Max      | AWG             | 14                |
| Conductor size (IEC) - Flexible cable  |          |                 |                   |
|  | min      | mm <sup>2</sup> | 0.5               |
|  | Max      | mm <sup>2</sup> | 2.5               |
| Conductor size (IEC) - Rigid cable     |          |                 |                   |
|  | min      | mm <sup>2</sup> | 0.5               |
|  | Max      | mm <sup>2</sup> | 2.5               |
| Mechanical life                        |          | cycles          | 3x10 <sup>6</sup> |
| <b>UL technical data</b>               |          |                 |                   |
| Motor power for direct-on-line control |          |                 |                   |
| for three-phase motor                  |          |                 |                   |
|  | 120V     | HP              | 1.5               |
|  | 240V     | HP              | 3                 |
| for single-phase motor                 |          |                 |                   |
|  | 120V     | HP              | 0.5               |
|  | 240V     | HP              | 1                 |

**Ambient conditions**

Temperature

Operating temperature

|     |    |     |
|-----|----|-----|
| min | °C | -25 |
| max | °C | +55 |

Storage temperature

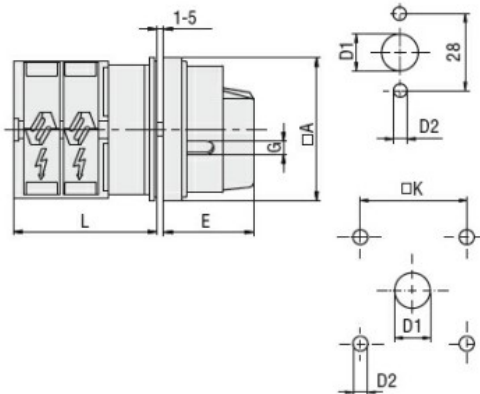
|     |    |     |
|-----|----|-----|
| min | °C | -40 |
| max | °C | +70 |

**Resistance & Protection**

Frontal IP degree IP40

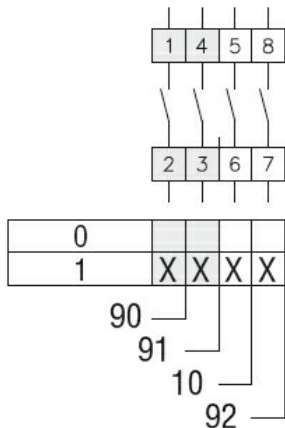
Terminals IP degree IP00

**Dimensions**



| Series | Dimensions |    |    |      |   |    | L    |      |          |       |
|--------|------------|----|----|------|---|----|------|------|----------|-------|
|        | □A         | D1 | D2 | E    | G | □K | 1    | 2    | 3.....12 |       |
| 7GN12  | 65         | 12 | 5  | 34.2 | 5 | 36 | 36.1 | 45.8 | 55.5     | 142.8 |
| 7GN20  | 65         | 12 | 5  | 34.2 | 5 | 36 | 36.1 | 45.8 | 55.5     | 142.8 |
| 7GN25  | 65         | 12 | 5  | 34.2 | 5 | 36 | 40.5 | 54.1 | 67.7     | 190.1 |
| 7GN32  | 65         | 14 | 5  | 38   | 6 | 48 | 46.5 | 61.6 | 76.7     | 212.6 |
| 7GN40  | 65         | 14 | 5  | 38   | 6 | 48 | 46.5 | 61.6 | 76.7     | 212.6 |
| 7GN63  | 65         | 14 | 5  | 38   | 6 | 48 | 50.3 | 68.4 | 86.5     | 249.4 |
| 7GN125 | 90         | 16 | 6  | 49   | 7 | 68 | 67.3 | 96.4 | 125.5    | 394.9 |

**Wiring diagrams**



**Certifications and compliance**

Compliance

- CSA C22.2 n° 14
- IEC/EN/BS 60947-1
- IEC/EN/BS 60947-3
- IEC/EN/BS 60947-5-1
- UL60947-4-1

Certificates

- cCSAus
- EAC
- UL

**ETIM classification**

ETIM 8.0

EC001029 -  
Selector switch,  
complete