



### General characteristics

Switching diagram	12 - Star-delta motor starter switch
N° of elements	4
Mounting form	U - Front mounting with black handle

### Contact characteristics

Rated insulation voltage $U_i$	IEC/EN	V	690
	UL/CSA	V	600
Rated impulse withstand voltage $U_{imp}$		kV	6
Conventional free air thermal current $I_{th}$	IEC/EN	A	20
	UL/CSA	A	20
Rated operational voltage		V	480
Rated operational impulse voltage		kV	4
Maximum fuse size for short-circuit protection $I_n$ (gG)	10kA	A	20
	15kA	A	16
	25kA	A	16
Rated short time current $I_{cw}$		1s	kA
			250
Conductivity			10/5 mA/V
Operational current $I_e$ IEC/EN	AC1/AC21A		A
			20
AC15	110V	A	10
	220/230V	A	8
	380/400V	A	6
	660/690V	A	1.5
Rated operational power in AC	Three-phase AC-3		
	220/230V	kW	3
	380/440V	kW	5.5
	500/690V	kW	5.5
	Single-phase AC-3		
	110V	kW	0.8
	220/230V	kW	2.2
	380/440V	kW	3
	Three-phase AC23A		
	220/230V	kW	5
	380/440V	kW	7.5
	500/690V	kW	7.5

Single-phase AC23A

110V	kW	0.8
220/230V	kW	2.5
380/440V	kW	3.7

Rated operational current in DC

DC21A

48V	A	20
60V	A	20
110V	A	4
220V	A	0.6
440V	A	0.25

DC23A (poles in series)

24V	A	20 (1)
48V	A	20 (2)
60V	A	20 (3)
110V	A	10 (3)
220V	A	8 (4)

DC13

24V	A	20
48V	A	16
60V	A	12
110V	A	1
220V	A	0.4
440V	A	0.15

Power dissipation

W 0.8

Mechanical features

Terminals screw

M3

Tightening torque for terminals max

Nm 0.5

Conductor size

AWG - Rigid cable

min	AWG	20
Max	AWG	12

AWG - Flexible cable

min	AWG	20
Max	AWG	14

Conductor size (IEC) - Flexible cable

min	mm <sup>2</sup>	0.5
Max	mm <sup>2</sup>	2.5

Conductor size (IEC) - Rigid cable

min	mm <sup>2</sup>	0.5
Max	mm <sup>2</sup>	2.5

Mechanical life

cycles 5x10<sup>6</sup>

UL technical data

Motor power for direct-on-line control

for three-phase motor

120V	HP	1.5
240V	HP	3
480V	HP	7.5
600V	HP	10

for single-phase motor

120V	HP	0.75
240V	HP	2

Ambient conditions

Temperature

Operating temperature

min °C -25  
max °C +55

Storage temperature

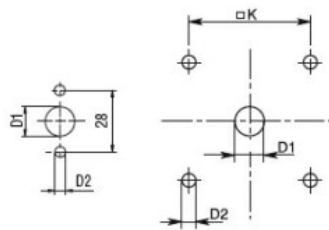
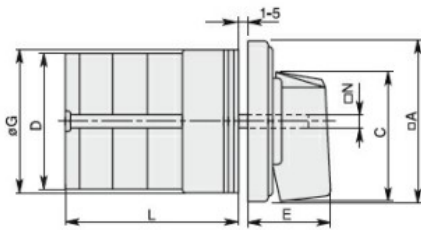
min °C -40  
max °C +70

**Resistance & Protection**

Frontal IP degree IP40

Terminals IP degree IP00

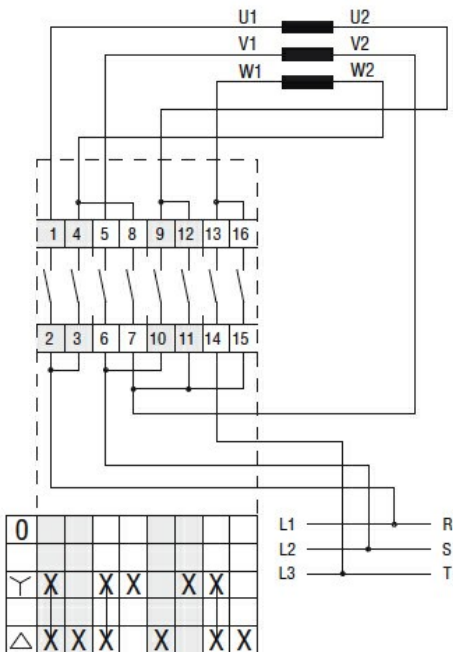
**Dimensions**



Standard drillings for 7GN125.  
Drillings on request for 4 screws fixing  
(4V version).

Series	Dimensions									L Number of elements											
	□A	C	ØD	ØD1	ØD2	E	ØG	□K	□N	1	2	3	4	5	6	7	8	9	10	11	12
7GN12	48	39.5	39	12	5	26.5	38	36	6	36.1	45.8	55.5	65.2	74.9	84.6	94.3	104	113.7	123.4	133.1	142.8
7GN20	48	39.5	39	12	5	26.5	38	36	6	36.1	45.8	55.5	65.2	74.9	84.6	94.3	104	113.7	123.4	133.1	142.8
7GN25	48	39.5	43	12	5	26.5	38	36	6	40.5	54.1	67.7	81.3	94.9	108.5	122.1	135.7	147.3	162.9	176.5	190.1
7GN32	65	53	58	14	5	34.5	58.5	48	7	46.5	61.6	76.7	91.8	106.9	122	137.1	152.2	167.3	182.4	197.5	212.6
7GN40	65	53	58	14	5	34.5	58.5	48	7	46.5	61.6	76.7	91.8	106.9	122	137.1	152.2	167.3	182.4	197.5	212.6
7GN63	65	53	62	14	5	34.5	58.5	48	7	50.3	68.4	86.5	104.6	122.7	140.8	158.9	177	195.1	213.2	231.3	249.4
7GN125	90	70.5	86	16	6	41.5	84	68	9	67.3	96.4	125.5	154.6	183.7	220.3	249.4	278.5	307.6	336.7	365.8	394.9

**Wiring diagrams**



**Certifications and compliance**

Compliance

CSA C22.2 n° 14

IEC/EN/BS 60947-1

---

IEC/EN/BS 60947-3

---

IEC/EN/BS 60947-5-1

---

UL60947-4-1

---

Certificates

---

cCSAus

---

EAC

---

UL

**ETIM classification**

ETIM 8.0

EC001105 - Off-  
load switch