

**General characteristics**

Switching diagram	19 - Dahlander motor control switch 0-1-2
N° of elements	4
Mounting form	U65 - Front mounting with red/yellow handle padlockable in 0 and protection covers

**Contact characteristics**

Rated insulation voltage $U_i$	IEC/EN	V	690	
	UL/CSA	V	600	
Rated impulse withstand voltage $U_{imp}$		kV	6	
Conventional free air thermal current $I_{th}$	IEC/EN	A	20	
	UL/CSA	A	20	
Rated operational voltage		V	480	
Rated operational impulse voltage		kV	4	
Maximum fuse size for short-circuit protection $I_n$ (gG)	10kA	A	20	
	15kA	A	16	
	25kA	A	16	
Rated short time current $I_{cw}$	1s	kA	250	
			10/5 mA/V	
Conductivity			10/5 mA/V	
Operational current $I_e$ IEC/EN	AC1/AC21A	A	20	
	AC15			
	110V	A	10	
	220/230V	A	8	
	380/400V	A	6	
	660/690V	A	1.5	
Rated operational power in AC	Three-phase AC-3	220/230V	kW	3
		380/440V	kW	5.5
		500/690V	kW	5.5
Single-phase AC-3	110V	kW	0.8	
	220/230V	kW	2.2	
	380/440V	kW	3	
Three-phase AC23A	220/230V	kW	5	
	380/440V	kW	7.5	
	500/690V	kW	7.5	
Single-phase AC23A	110V	kW	0.8	
	220/230V	kW	2.5	
	380/440V	kW	3.7	

**Rated operational current in DC**

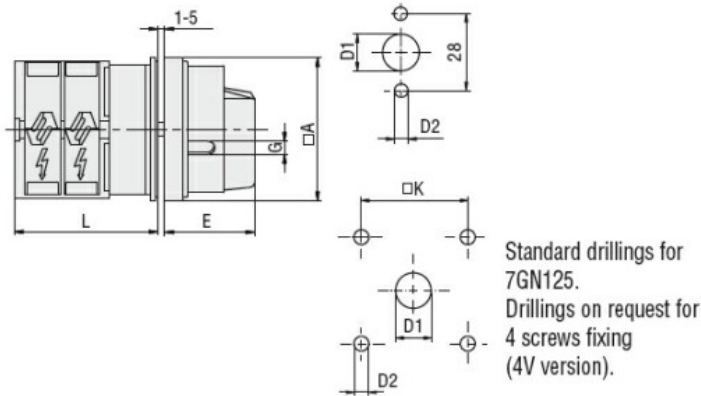
DC21A				
	48V	A	20	
	60V	A	20	
	110V	A	4	
	220V	A	0.6	
	440V	A	0.25	
DC23A (poles in series)				
	24V	A	20 (1)	
	48V	A	20 (2)	
	60V	A	20 (3)	
	110V	A	10 (3)	
	220V	A	8 (4)	
DC13				
	24V	A	20	
	48V	A	16	
	60V	A	12	
	110V	A	1	
	220V	A	0.4	
	440V	A	0.15	
Power dissipation		W	0.8	
<b>Mechanical features</b>				
Terminals screw				M3
Tightening torque for terminals max		Nm	0.5	
Conductor size				
AWG - Rigid cable				
	min	AWG	20	
	Max	AWG	12	
AWG - Flexible cable				
	min	AWG	20	
	Max	AWG	14	
Conductor size (IEC) - Flexible cable				
	min	mm <sup>2</sup>	0.5	
	Max	mm <sup>2</sup>	2.5	
Conductor size (IEC) - Rigid cable				
	min	mm <sup>2</sup>	0.5	
	Max	mm <sup>2</sup>	2.5	
Mechanical life		cycles	5x10 <sup>6</sup>	
<b>UL technical data</b>				
Motor power for direct-on-line control				
for three-phase motor				
	120V	HP	1.5	
	240V	HP	3	
	480V	HP	7.5	
	600V	HP	10	
for single-phase motor				
	120V	HP	0.75	
	240V	HP	2	
<b>Ambient conditions</b>				
Temperature				
Operating temperature				
	min	°C	-25	
	max	°C	+55	
Storage temperature				
	min	°C	-40	

max °C +70

**Resistance & Protection**

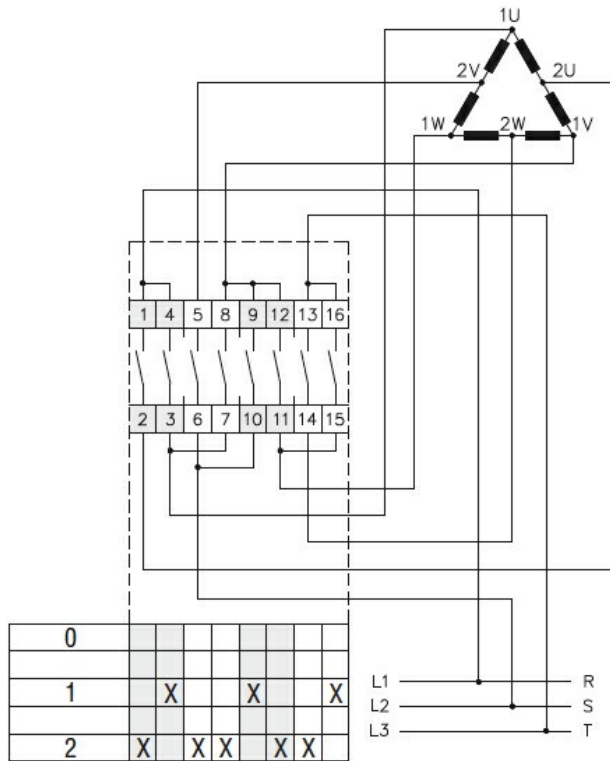
Frontal IP degree	IP40
Terminals IP degree	IP00

**Dimensions**



Series	Dimensions						L				
	□A	D1	D2	E	G	□K	1	2	3.....12		
7GN12	65	12	5	34.2	5	36	36.1	45.8	55.5	142.8	
7GN20	65	12	5	34.2	5	36	36.1	45.8	55.5	142.8	
7GN25	65	12	5	34.2	5	36	40.5	54.1	67.7	190.1	
7GN32	65	14	5	38	6	48	46.5	61.6	76.7	212.6	
7GN40	65	14	5	38	6	48	46.5	61.6	76.7	212.6	
7GN63	65	14	5	38	6	48	50.3	68.4	86.5	249.4	
7GN125	90	16	6	49	7	68	67.3	96.4	125.5	394.9	

**Wiring diagrams**



**Certifications and compliance**

**Compliance**

- CSA C22.2 n° 14
- IEC/EN/BS 60947-1
- IEC/EN/BS 60947-3
- IEC/EN/BS 60947-5-1
- UL60947-4-1

**Certificates**

- cCSAus
- EAC
- UL

**ETIM classification**

ETIM 8.0

EC001029 -  
Selector switch,  
complete