

General characteristics

Switching diagram	26 - 3-phase motor reversing switch with spring return
N° of elements	3
Mounting form	P25 - Plastic enclosure with red/yellow handle

Contact characteristics

Rated insulation voltage U_i	IEC/EN	V	690	
	UL/CSA	V	600	
Rated impulse withstand voltage U_{imp}		kV	6	
Conventional free air thermal current I_{th}	IEC/EN	A	20	
	UL/CSA	A	20	
Rated operational voltage		V	480	
Rated operational impulse voltage		kV	4	
Maximum fuse size for short-circuit protection I_n (gG)	10kA	A	20	
	15kA	A	16	
	25kA	A	16	
Rated short time current I_{cw}	1s	kA	250	
			10/5 mA/V	
Conductivity			10/5 mA/V	
Operational current I_e IEC/EN	AC1/AC21A	A	20	
	AC15			
	110V	A	10	
	220/230V	A	8	
	380/400V	A	6	
	660/690V	A	1.5	
Rated operational power in AC	Three-phase AC-3	220/230V	kW	3
		380/440V	kW	5.5
		500/690V	kW	5.5
	Single-phase AC-3	110V	kW	0.8
		220/230V	kW	2.2
		380/440V	kW	3
	Three-phase AC23A	220/230V	kW	5
		380/440V	kW	7.5
		500/690V	kW	7.5
	Single-phase AC23A	110V	kW	0.8
		220/230V	kW	2.5
		380/440V	kW	3.7
Rated operational current in DC				
DC21A				

	48V	A	20
	60V	A	20
	110V	A	4
	220V	A	0.6
	440V	A	0.25
<hr/>			
DC23A (poles in series)	24V	A	20 (1)
	48V	A	20 (2)
	60V	A	20 (3)
	110V	A	10 (3)
	220V	A	8 (4)
<hr/>			
DC13	24V	A	20
	48V	A	16
	60V	A	12
	110V	A	1
	220V	A	0.4
	440V	A	0.15
<hr/>			
Power dissipation		W	0.8
Mechanical features			
Terminals screw			M3
Tightening torque for terminals max		Nm	0.5
<hr/>			
Conductor size			
AWG - Rigid cable			
	min	AWG	20
	Max	AWG	12
<hr/>			
AWG - Flexible cable			
	min	AWG	20
	Max	AWG	14
<hr/>			
Conductor size (IEC) - Flexible cable			
	min	mm ²	0.5
	Max	mm ²	2.5
<hr/>			
Conductor size (IEC) - Rigid cable			
	min	mm ²	0.5
	Max	mm ²	2.5
<hr/>			
Mechanical life		cycles	5x10 ⁶
UL technical data			
Motor power for direct-on-line control			
for three-phase motor			
	120V	HP	1.5
	240V	HP	3
	480V	HP	7.5
	600V	HP	10
<hr/>			
for single-phase motor			
	120V	HP	0.75
	240V	HP	2
<hr/>			
Ambient conditions			
Temperature			
Operating temperature			
	min	°C	-25
	max	°C	+55
<hr/>			
Storage temperature			
	min	°C	-40
	max	°C	+70

Resistance & Protection

Frontal IP degree IP65

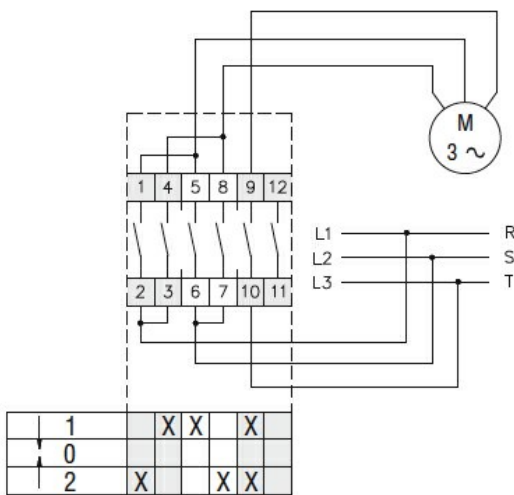
Terminals IP degree IP00

Dimensions

Series	Enclosure size	Number of elements		Dimensions										Cable entry	Protection degree
		L	L1	A	A1	C	C1	D	F	M	N	L	L1		
7GN12Ⓟ	75x75Ⓟ	1-2	3-4	75	75	50	64	4.5	19	14	28	57.5	79.8	4xPG13.5	IP65
7GN20Ⓟ		1-2	3-4												
7GN25Ⓟ		1	2-3												
7GN12Ⓟ	90x90	1-3	4-6	90	90	79	63	4.5	25	19	30	71.3	98.3	4xPG16	IP65
7GN20Ⓟ		1-3	4-6												
7GN25Ⓟ		1-2	3-4												
7GN32		1	2-3												
7GN40		1	2-3												
7GN12	110x110	1-4	5-8	110	110	98.4	83	4.5	32	21	39.5	85.5	119.5	4xPG21	IP65
7GN20		1-4	5-8												
7GN25		1-3	4-5												
7GN32Ⓟ		1-2	3-5												
7GN40Ⓟ		1-2	3-5												
7GN63		1-2	3-4												
7GN32Ⓟ	125x175	1-2	3-4	125	175	146	112	5.5	32	21	68	84.3	118.3	4xPG21 2xPG11	IP65
7GN40Ⓟ		1-2	3-4												
7GN63Ⓟ		1-2	3-4												
7GN125	198x248	1	2	198	248	190-210	140-180	5.5	32	35	104	-	166.5	6xPG16- 21-29	IP65
7GN32		-	1-7												
7GN40		-	1-7												
7GN63Ⓟ		-	1-6												
7GN125Ⓟ		-	1-4												

- Ⓟ Standard dimensions for cam switch in plastic enclosure with black handle (P).
- Ⓟ Standard dimensions for cam switch in plastic enclosure with red/yellow handle padlockable in 0 (P25).

Wiring diagrams



Certifications and compliance

Compliance

- IEC/EN/BS 60947-1
- IEC/EN/BS 60947-3
- IEC/EN/BS 60947-5-1

Certificates

EAC

ETIM classification

ETIM 8.0

EC001029 -
Selector switch,
complete