

General characteristics

| | |
|-------------------|--|
| Switching diagram | 07 - ON/OFF switch 3 poles |
| N° of elements | 2 |
| Mounting form | U65 - Front mounting with red/yellow handle padlockable in 0 and protection covers |

Contact characteristics

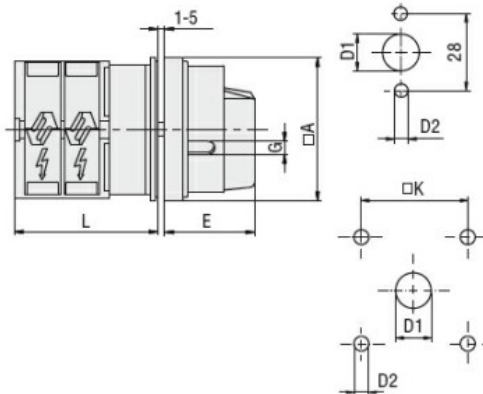
| | | | | |
|---|--------------------|----------|-----------|-----|
| Rated insulation voltage U_i | IEC/EN | V | 690 | |
| | UL/CSA | V | 600 | |
| Rated impulse withstand voltage U_{imp} | | kV | 6 | |
| Conventional free air thermal current I_{th} | IEC/EN | A | 25 | |
| | UL/CSA | A | 30 | |
| Rated operational voltage | | V | 480 | |
| Rated operational impulse voltage | | kV | 4 | |
| Maximum fuse size for short-circuit protection I_n (gG) | 10kA | A | 25 | |
| | 15kA | A | 25 | |
| | 25kA | A | 25 | |
| Rated short time current I_{cw} | 1s | kA | 400 | |
| | | | 10/5 mA/V | |
| Conductivity | | | 10/5 mA/V | |
| Operational current I_e IEC/EN | AC1/AC21A | A | 25 | |
| | AC15 | | | |
| | 110V | A | 16 | |
| | 220/230V | A | 12 | |
| | 380/400V | A | 8 | |
| | 660/690V | A | 2 | |
| Rated operational power in AC | Three-phase AC-3 | 220/230V | kW | 5.5 |
| | | 380/440V | kW | 7.5 |
| | | 500/690V | kW | 7.5 |
| | Single-phase AC-3 | 110V | kW | 1.5 |
| | | 220/230V | kW | 3 |
| | | 380/440V | kW | 5.5 |
| | Three-phase AC23A | 220/230V | kW | 6.5 |
| | | 380/440V | kW | 11 |
| | | 500/690V | kW | 11 |
| | Single-phase AC23A | 110V | kW | 1.5 |
| | | 220/230V | kW | 3.7 |
| | | 380/440V | kW | 5.5 |
| Rated operational current in DC | | | | |
| DC21A | | | | |

| | | | |
|--|------|-----------------|-------------------|
| | 48V | A | 25 |
| | 60V | A | 25 |
| | 110V | A | 4 |
| | 220V | A | 0.7 |
| <hr/> | | | |
| DC23A (poles in series) | 24V | A | 25 (1) |
| | 48V | A | 25 (2) |
| | 60V | A | 25 (3) |
| | 110V | A | 12 (3) |
| | 220V | A | 10 (4) |
| <hr/> | | | |
| DC13 | 24V | A | 25 |
| | 48V | A | 20 |
| | 60V | A | 16 |
| | 110V | A | 1.5 |
| | 220V | A | 0.4 |
| <hr/> | | | |
| Power dissipation | | W | 1.1 |
| Mechanical features | | | |
| Terminals screw | | | M3.5 |
| Tightening torque for terminals max | | Nm | 0.8 |
| <hr/> | | | |
| Conductor size | | | |
| AWG - Rigid cable | min | AWG | 20 |
| | Max | AWG | 10 |
| <hr/> | | | |
| AWG - Flexible cable | min | AWG | 20 |
| | Max | AWG | 12 |
| <hr/> | | | |
| Conductor size (IEC) - Flexible cable | min | mm ² | 0.5 |
| | Max | mm ² | 4 |
| <hr/> | | | |
| Conductor size (IEC) - Rigid cable | min | mm ² | 0.5 |
| | Max | mm ² | 4 |
| <hr/> | | | |
| Mechanical life | | cycles | 5x10 ⁶ |
| UL technical data | | | |
| Motor power for direct-on-line control | | | |
| for three-phase motor | 120V | HP | 3 |
| | 240V | HP | 5 |
| | 480V | HP | 10 |
| | 600V | HP | 15 |
| <hr/> | | | |
| for single-phase motor | 120V | HP | 1.5 |
| | 240V | HP | 3 |
| <hr/> | | | |
| Ambient conditions | | | |
| Temperature | | | |
| Operating temperature | min | °C | -25 |
| | max | °C | +55 |
| <hr/> | | | |
| Storage temperature | min | °C | -40 |
| | max | °C | +70 |
| <hr/> | | | |
| Resistance & Protection | | | |
| Frontal IP degree | | | IP40 |

Terminals IP degree

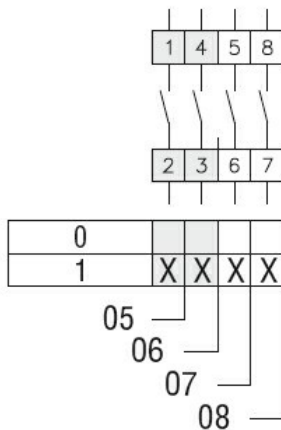
IP00

Dimensions



| Series | Dimensions | | | | | | L | | | |
|--------|------------|----|----|------|---|----|------|------|--------|-------|
| | □A | D1 | D2 | E | G | □K | 1 | 2 | 3...12 | |
| 7GN12 | 65 | 12 | 5 | 34.2 | 5 | 36 | 36.1 | 45.8 | 55.5 | 142.8 |
| 7GN20 | 65 | 12 | 5 | 34.2 | 5 | 36 | 36.1 | 45.8 | 55.5 | 142.8 |
| 7GN25 | 65 | 12 | 5 | 34.2 | 5 | 36 | 40.5 | 54.1 | 67.7 | 190.1 |
| 7GN32 | 65 | 14 | 5 | 38 | 6 | 48 | 46.5 | 61.6 | 76.7 | 212.6 |
| 7GN40 | 65 | 14 | 5 | 38 | 6 | 48 | 46.5 | 61.6 | 76.7 | 212.6 |
| 7GN63 | 65 | 14 | 5 | 38 | 6 | 48 | 50.3 | 68.4 | 86.5 | 249.4 |
| 7GN125 | 90 | 16 | 6 | 49 | 7 | 68 | 67.3 | 96.4 | 125.5 | 394.9 |

Wiring diagrams



Certifications and compliance

Compliance

CSA C22.2 n° 14
IEC/EN/BS 60947-1
IEC/EN/BS 60947-3
IEC/EN/BS 60947-5-1
UL60947-4-1

Certificates

cCSAus
EAC
UL

ETIM classification

ETIM 8.0

EC001029 -
Selector switch,
complete