

General characteristics

Switching diagram	08 - ON/OFF switch 4 poles
N° of elements	2
Mounting form	U25 - Front mounting with red/yellow handle padlockable in 0 and protection covers

Contact characteristics

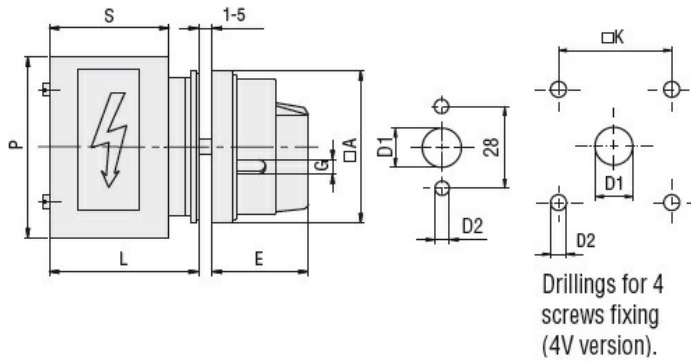
Rated insulation voltage U_i	IEC/EN	V	690	
	UL/CSA	V	600	
Rated impulse withstand voltage U_{imp}		kV	6	
Conventional free air thermal current I_{th}	IEC/EN	A	25	
	UL/CSA	A	30	
Rated operational voltage		V	480	
Rated operational impulse voltage		kV	4	
Maximum fuse size for short-circuit protection I_n (gG)	10kA	A	25	
	15kA	A	25	
	25kA	A	25	
Rated short time current I_{cw}	1s	kA	400	
	Conductivity			10/5 mA/V
Operational current I_e IEC/EN	AC1/AC21A		A	25
	AC15			
	110V	A	16	
	220/230V	A	12	
	380/400V	A	8	
	660/690V	A	2	
Rated operational power in AC	Three-phase AC-3			
	220/230V	kW	5.5	
	380/440V	kW	7.5	
	500/690V	kW	7.5	
	Single-phase AC-3			
	110V	kW	1.5	
	220/230V	kW	3	
	380/440V	kW	5.5	
	Three-phase AC23A			
	220/230V	kW	6.5	
	380/440V	kW	11	
	500/690V	kW	11	
Single-phase AC23A				
110V	kW	1.5		
220/230V	kW	3.7		
380/440V	kW	5.5		
Rated operational current in DC	DC21A			

	48V	A	25
	60V	A	25
	110V	A	4
	220V	A	0.7
<hr/>			
DC23A (poles in series)	24V	A	25 (1)
	48V	A	25 (2)
	60V	A	25 (3)
	110V	A	12 (3)
	220V	A	10 (4)
<hr/>			
DC13	24V	A	25
	48V	A	20
	60V	A	16
	110V	A	1.5
	220V	A	0.4
<hr/>			
Power dissipation		W	1.1
Mechanical features			
Terminals screw			M3.5
Tightening torque for terminals max		Nm	0.8
<hr/>			
Conductor size			
AWG - Rigid cable	min	AWG	20
	Max	AWG	10
<hr/>			
AWG - Flexible cable	min	AWG	20
	Max	AWG	12
<hr/>			
Conductor size (IEC) - Flexible cable	min	mm ²	0.5
	Max	mm ²	4
<hr/>			
Conductor size (IEC) - Rigid cable	min	mm ²	0.5
	Max	mm ²	4
<hr/>			
Mechanical life		cycles	5x10 ⁶
UL technical data			
Motor power for direct-on-line control			
for three-phase motor	120V	HP	3
	240V	HP	5
	480V	HP	10
	600V	HP	15
<hr/>			
for single-phase motor	120V	HP	1.5
	240V	HP	3
<hr/>			
Ambient conditions			
Temperature			
Operating temperature	min	°C	-25
	max	°C	+55
<hr/>			
Storage temperature	min	°C	-40
	max	°C	+70
<hr/>			
Resistance & Protection			
Frontal IP degree			IP40

Terminals IP degree

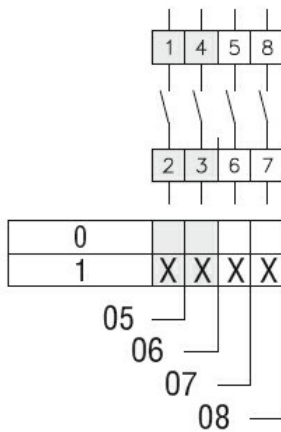
IP00

Dimensions



Series	Dimensions								
	□A	D1	D2	E	G	□K	S	P	L
7GN12	65	12	5	34.2	5	36	43	64	54.3
7GN20	65	12	5	34.2	5	36	43	64	54.3
7GN25	65	12	5	34.2	5	36	51	68	62.6
7GN32	65	14	5	38	6	48	55	77	71.7
7GN40	65	14	5	38	6	48	55	77	71.7

Wiring diagrams



Certifications and compliance

Compliance

- CSA C22.2 n° 14
- IEC/EN/BS 60947-1
- IEC/EN/BS 60947-3
- IEC/EN/BS 60947-5-1
- UL60947-4-1

Certificates

- cCSAus
- EAC
- UL

ETIM classification

ETIM 8.0

EC001029 -
Selector switch,
complete