

### General characteristics

Switching diagram	25 - 1-phase motor reversing switch with spring return
N° of elements	2
Mounting form	O48 - Modular service cover for 35mm din rail mounting with black handle

### Contact characteristics

Rated insulation voltage $U_i$	IEC/EN	V	690	
	UL/CSA	V	600	
Rated impulse withstand voltage $U_{imp}$		kV	6	
Conventional free air thermal current $I_{th}$	IEC/EN	A	25	
	UL/CSA	A	30	
Rated operational voltage		V	480	
Rated operational impulse voltage		kV	4	
Maximum fuse size for short-circuit protection $I_n$ (gG)	10kA	A	25	
	15kA	A	25	
	25kA	A	25	
Rated short time current $I_{cw}$	1s	kA	400	
			10/5 mA/V	
Conductivity			10/5 mA/V	
Operational current $I_e$ IEC/EN	AC1/AC21A	A	25	
	AC15			
	110V	A	16	
	220/230V	A	12	
	380/400V	A	8	
	660/690V	A	2	
Rated operational power in AC	Three-phase AC-3	220/230V	kW	5.5
		380/440V	kW	7.5
		500/690V	kW	7.5
Single-phase AC-3	110V	kW	1.5	
	220/230V	kW	3	
	380/440V	kW	5.5	
Three-phase AC23A	220/230V	kW	6.5	
	380/440V	kW	11	
	500/690V	kW	11	
Single-phase AC23A	110V	kW	1.5	
	220/230V	kW	3.7	
	380/440V	kW	5.5	

### Rated operational current in DC

DC21A	48V	A	25
	60V	A	25
	110V	A	4
	220V	A	0.7

DC23A (poles in series)	24V	A	25 (1)
	48V	A	25 (2)
	60V	A	25 (3)
	110V	A	12 (3)
	220V	A	10 (4)

DC13	24V	A	25
	48V	A	20
	60V	A	16
	110V	A	1.5
	220V	A	0.4

Power dissipation		W	1.1
-------------------	--	---	-----

**Mechanical features**

Terminals screw			M3.5
-----------------	--	--	------

Tightening torque for terminals max		Nm	0.8
-------------------------------------	--	----	-----

**Conductor size**

AWG - Rigid cable	min	AWG	20
	Max	AWG	10

AWG - Flexible cable	min	AWG	20
	Max	AWG	12

Conductor size (IEC) - Flexible cable	min	mm <sup>2</sup>	0.5
	Max	mm <sup>2</sup>	4

Conductor size (IEC) - Rigid cable	min	mm <sup>2</sup>	0.5
	Max	mm <sup>2</sup>	4

Mechanical life		cycles	5x10 <sup>6</sup>
-----------------	--	--------	-------------------

**UL technical data**

Motor power for direct-on-line control for three-phase motor	120V	HP	3
	240V	HP	5
	480V	HP	10
	600V	HP	15

for single-phase motor	120V	HP	1.5
	240V	HP	3

**Ambient conditions**

**Temperature**

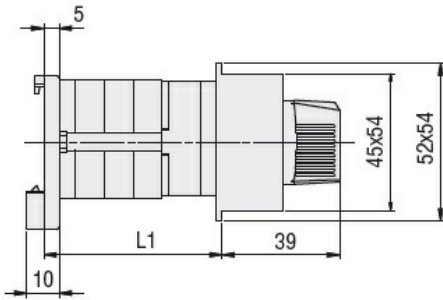
Operating temperature	min	°C	-25
	max	°C	+55

Storage temperature	min	°C	-40
	max	°C	+70

**Resistance & Protection**

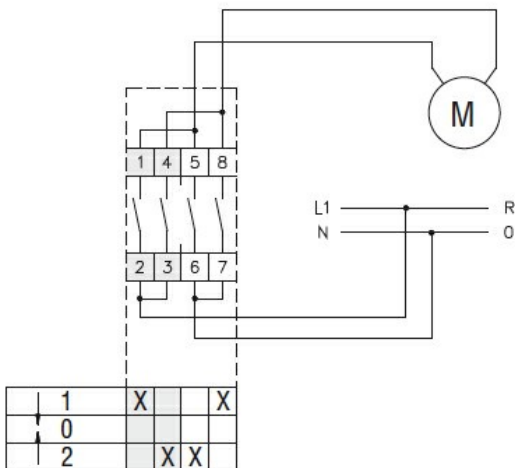
Frontal IP degree	IP40
Terminals IP degree	IP00

**Dimensions**



Series	L1		
	1	2	3
7GN12	38.1	47.8	57.5
7GN20	38.1	47.8	57.5
7GN25	42.5	56.1	69.7

**Wiring diagrams**



**Certifications and compliance**

**Compliance**

- CSA C22.2 n° 14
- IEC/EN/BS 60947-1
- IEC/EN/BS 60947-3
- IEC/EN/BS 60947-5-1
- UL60947-4-1

**Certificates**

- cCSAus
- EAC
- UL

**ETIM classification**

ETIM 8.0

EC001029 -  
Selector switch,  
complete