

General characteristics

Switching diagram	93 - Multi-step 1-2-3 3 poles
N° of elements	5
Mounting form	O48 - Modular service cover for 35mm din rail mounting with black handle

Contact characteristics

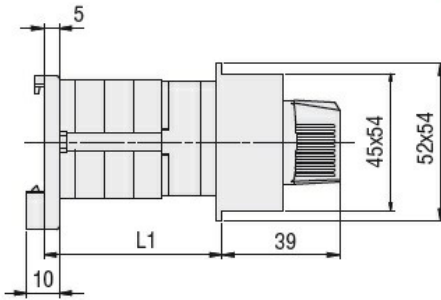
Rated insulation voltage U_i	IEC/EN	V	690
	UL/CSA	V	600
Rated impulse withstand voltage U_{imp}		kV	6
Conventional free air thermal current I_{th}	IEC/EN	A	25
	UL/CSA	A	30
Rated operational voltage		V	480
Rated operational impulse voltage		kV	4
Maximum fuse size for short-circuit protection I_n (gG)	10kA	A	25
	15kA	A	25
	25kA	A	25
Rated short time current I_{cw}	1s	kA	400
	Conductivity		
Operational current I_e IEC/EN	AC1/AC21A		A 25
	AC15		
	110V	A	16
	220/230V	A	12
	380/400V	A	8
	660/690V	A	2
Rated operational power in AC	Three-phase AC-3		
	220/230V	kW	5.5
	380/440V	kW	7.5
	500/690V	kW	7.5
	Single-phase AC-3		
	110V	kW	1.5
	220/230V	kW	3
	380/440V	kW	5.5
	Three-phase AC23A		
	220/230V	kW	6.5
	380/440V	kW	11
	500/690V	kW	11
Single-phase AC23A			
110V	kW	1.5	
220/230V	kW	3.7	
380/440V	kW	5.5	
Rated operational current in DC			
DC21A			

		48V	A	25
		60V	A	25
		110V	A	4
		220V	A	0.7
<hr/>				
DC23A (poles in series)		24V	A	25 (1)
		48V	A	25 (2)
		60V	A	25 (3)
		110V	A	12 (3)
		220V	A	10 (4)
<hr/>				
DC13		24V	A	25
		48V	A	20
		60V	A	16
		110V	A	1.5
		220V	A	0.4
<hr/>				
Power dissipation			W	1.1
Mechanical features				
Terminals screw				M3.5
Tightening torque for terminals max			Nm	0.8
<hr/>				
Conductor size				
	AWG - Rigid cable			
		min	AWG	20
		Max	AWG	10
<hr/>				
	AWG - Flexible cable			
		min	AWG	20
		Max	AWG	12
<hr/>				
	Conductor size (IEC) - Flexible cable			
		min	mm ²	0.5
		Max	mm ²	4
<hr/>				
	Conductor size (IEC) - Rigid cable			
		min	mm ²	0.5
		Max	mm ²	4
<hr/>				
Mechanical life			cycles	5x10 ⁶
UL technical data				
Motor power for direct-on-line control				
	for three-phase motor			
		120V	HP	3
		240V	HP	5
		480V	HP	10
		600V	HP	15
<hr/>				
	for single-phase motor			
		120V	HP	1.5
		240V	HP	3
<hr/>				
Ambient conditions				
Temperature				
	Operating temperature			
		min	°C	-25
		max	°C	+55
<hr/>				
	Storage temperature			
		min	°C	-40
		max	°C	+70
<hr/>				
Resistance & Protection				
Frontal IP degree				IP40

Terminals IP degree

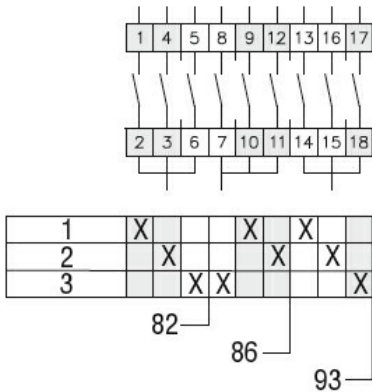
IP00

Dimensions



Series	L1		
	1	2	3
7GN12	38.1	47.8	57.5
7GN20	38.1	47.8	57.5
7GN25	42.5	56.1	69.7

Wiring diagrams



Certifications and compliance

Compliance

- CSA C22.2 n° 14
- IEC/EN/BS 60947-1
- IEC/EN/BS 60947-3
- IEC/EN/BS 60947-5-1
- UL60947-4-1

Certificates

- cCSAus
- EAC
- UL

ETIM classification

ETIM 8.0

EC001029 -
Selector switch,
complete