

General characteristics

Switching diagram	26 - 3-phase motor reversing switch with spring return
N° of elements	3
Mounting form	U65 - Front mounting with red/yellow handle padlockable in 0 and protection covers

Contact characteristics

Rated insulation voltage U_i	IEC/EN	V	690	
	UL/CSA	V	600	
Rated impulse withstand voltage U_{imp}		kV	6	
Conventional free air thermal current I_{th}	IEC/EN	A	32	
	UL/CSA	A	40	
Rated operational voltage		V	480	
Rated operational impulse voltage		kV	4	
Maximum fuse size for short-circuit protection I_n (gG)	10kA	A	32	
	15kA	A	32	
	25kA	A	32	
	50kA	A	32	
Rated short time current I_{cw}	1s	kA	800	
			10/5 mA/V	
Conductivity			10/5 mA/V	
Operational current I_e IEC/EN	AC1/AC21A	A	32	
	AC15			
	110V	A	25	
	220/230V	A	20	
	380/400V	A	10	
	660/690V	A	2	
Rated operational power in AC	Three-phase AC-3	220/230V	kW	7.5
		380/440V	kW	11
		500/690V	kW	11
	Single-phase AC-3	110V	kW	2.2
		220/230V	kW	4
		380/440V	kW	6.5
	Three-phase AC23A	220/230V	kW	8
		380/440V	kW	15
		500/690V	kW	18.5
	Single-phase AC23A	110V	kW	2.2
		220/230V	kW	4

		380/440V	kW	7.5
Rated operational current in DC				
DC21A				
	48V	A	32	
	60V	A	32	
	110V	A	6	
	220V	A	0.9	
DC23A (poles in series)				
	24V	A	32 (1)	
	48V	A	32 (2)	
	60V	A	32 (3)	
	110V	A	15 (3)	
	220V	A	12 (4)	
DC13				
	24V	A	32	
	48V	A	25	
	60V	A	16	
	110V	A	3	
	220V	A	0.5	
Power dissipation			W	1.5
Mechanical features				
Terminals screw				M4
Tightening torque for terminals max			Nm	1.2
Conductor size				
AWG - Rigid cable				
	min	AWG	16	
	Max	AWG	8	
AWG - Flexible cable				
	min	AWG	16	
	Max	AWG	10	
Conductor size (IEC) - Flexible cable				
	min	mm ²	1.5	
	Max	mm ²	4	
Conductor size (IEC) - Rigid cable				
	min	mm ²	1.5	
	Max	mm ²	6	
Mechanical life			cycles	5x10 ⁶
UL technical data				
Motor power for direct-on-line control				
for three-phase motor				
	120V	HP	5	
	240V	HP	10	
	480V	HP	15	
	600V	HP	15	
for single-phase motor				
	120V	HP	2	
	240V	HP	5	
Ambient conditions				
Temperature				
Operating temperature				
	min	°C	-25	
	max	°C	+55	
Storage temperature				
	min	°C	-40	

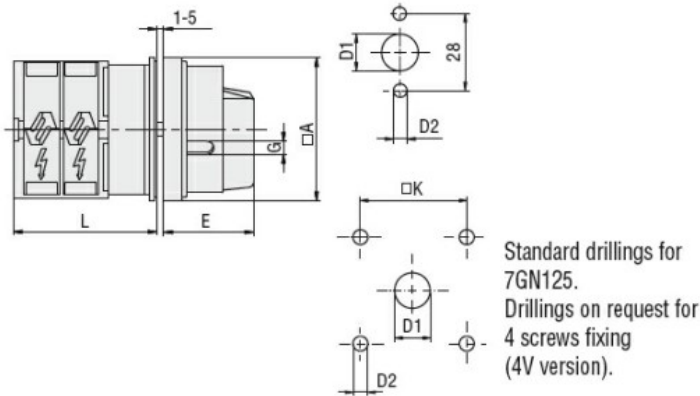
max °C +70

Resistance & Protection

Frontal IP degree IP40

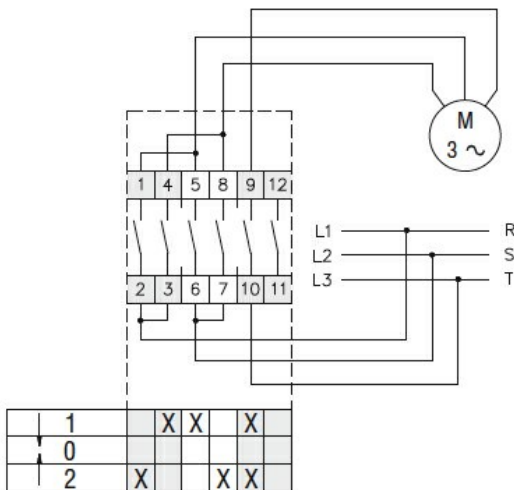
Terminals IP degree IP00

Dimensions



Series	Dimensions						L			
	□A	D1	D2	E	G	□K	1	2	3...12	
7GN12	65	12	5	34.2	5	36	36.1	45.8	55.5	142.8
7GN20	65	12	5	34.2	5	36	36.1	45.8	55.5	142.8
7GN25	65	12	5	34.2	5	36	40.5	54.1	67.7	190.1
7GN32	65	14	5	38	6	48	46.5	61.6	76.7	212.6
7GN40	65	14	5	38	6	48	46.5	61.6	76.7	212.6
7GN63	65	14	5	38	6	48	50.3	68.4	86.5	249.4
7GN125	90	16	6	49	7	68	67.3	96.4	125.5	394.9

Wiring diagrams



Certifications and compliance

Compliance

- CSA C22.2 n° 14
- IEC/EN/BS 60947-1
- IEC/EN/BS 60947-3
- IEC/EN/BS 60947-5-1
- UL60947-4-1

Certificates

- cCSAus
- EAC
- UL

ETIM classification

ETIM 8.0

EC001029 - Selector switch, complete