

General characteristics

Switching diagram	12 - Star-delta motor starter switch
N° of elements	4
Mounting form	P25 - Plastic enclosure with red/yellow handle

Contact characteristics

Rated insulation voltage U_i	IEC/EN	V	690
	UL/CSA	V	600
Rated impulse withstand voltage U_{imp}		kV	6
Conventional free air thermal current I_{th}	IEC/EN	A	63
	UL/CSA	A	60
Rated operational voltage		V	480
Rated operational impulse voltage		kV	4
Maximum fuse size for short-circuit protection I_n (gG)	10kA	A	63
	15kA	A	63
	25kA	A	63
	50kA	A	63
	63kA	A	63
Rated short time current I_{cw}	1s	kA	1600
	Conductivity		10/5 mA/V
Operational current I_e IEC/EN	AC1/AC21A		A 63
	AC15		
Rated operational power in AC	Three-phase AC-3		
	220/230V	kW	11
	380/440V	kW	18.5
	500/690V	kW	18.5
	Single-phase AC-3		
110V	kW	3.7	
220/230V	kW	6.5	
380/440V	kW	11.5	
Three-phase AC23A			
220/230V	kW	12.5	
380/440V	kW	30	
500/690V	kW	30	
Single-phase AC23A			
110V	kW	3.7	
220/230V	kW	7.5	
380/440V	kW	12.5	
Rated operational current in DC			

DC21A				
	48V	A	63	
	60V	A	50	
	110V	A	8	
	220V	A	1	
DC23A (poles in series)				
	24V	A	50 (1)	
	48V	A	50 (2)	
	60V	A	50 (3)	
	110V	A	25 (3)	
	220V	A	15 (4)	
DC13				
	24V	A	63	
	48V	A	40	
	60V	A	28	
	110V	A	3.3	
Power dissipation		W	3.4	
Mechanical features				
Terminals screw			M5	
Tightening torque for terminals max		Nm	2	
Conductor size				
AWG - Rigid cable				
	min	AWG	14	
	Max	AWG	6	
AWG - Flexible cable				
	min	AWG	14	
	Max	AWG	8	
Conductor size (IEC) - Flexible cable				
	min	mm ²	2.5	
	Max	mm ²	10	
Conductor size (IEC) - Rigid cable				
	min	mm ²	2.5	
	Max	mm ²	16	
Mechanical life		cycles	5x10 ⁶	
UL technical data				
Motor power for direct-on-line control				
for three-phase motor				
	120V	HP	7.5	
	240V	HP	15	
	480V	HP	25	
	600V	HP	25	
for single-phase motor				
	120V	HP	3	
	240V	HP	10	
Ambient conditions				
Temperature				
Operating temperature				
	min	°C	-25	
	max	°C	+55	
Storage temperature				
	min	°C	-40	
	max	°C	+70	
Resistance & Protection				
Frontal IP degree			IP65	

Terminals IP degree

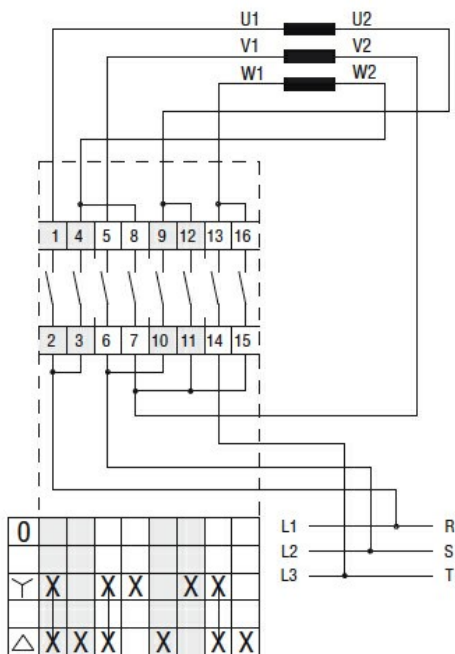
IP00

Dimensions

Series	Enclosure size	Number of elements		Dimensions										Cable entry	Protection degree
		L	L1	A	A1	C	C1	D	F	M	N	L	L1		
7GN12Ⓟ	75x75Ⓟ	1-2	3-4	75	75	50	64	4.5	19	14	28	57.5	79.8	4xPG13.5	IP65
7GN20Ⓟ		1-2	3-4												
7GN25Ⓟ		1	2-3												
7GN12Ⓟ	90x90	1-3	4-6	90	90	79	63	4.5	25	19	30	71.3	98.3	4xPG16	IP65
7GN20Ⓟ		1-3	4-6												
7GN25Ⓟ		1-2	3-4												
7GN32		1	2-3												
7GN40		1	2-3												
7GN12	110x110	1-4	5-8	110	110	98.4	83	4.5	32	21	39.5	85.5	119.5	4xPG21	IP65
7GN20		1-4	5-8												
7GN25		1-3	4-5												
7GN32Ⓟ		1-2	3-5												
7GN40Ⓟ		1-2	3-5												
7GN63		1-2	3-4												
7GN32Ⓟ	125x175	1-2	3-4	125	175	146	112	5.5	32	21	68	84.3	118.3	4xPG21 2xPG11	IP65
7GN40Ⓟ		1-2	3-4												
7GN63Ⓟ		1-2	3-4												
7GN125		1	2												
7GN32	198x248	-	1-7	198	248	190-210	140-180	5.5	32	35	104	-	166.5	6xPG16- 21-29	IP65
7GN40		-	1-7												
7GN63Ⓟ		-	1-6												
7GN125Ⓟ		-	1-4												

- Ⓟ Standard dimensions for cam switch in plastic enclosure with black handle (P).
- Ⓟ D Standard dimensions for cam switch in plastic enclosure with red/yellow handle padlockable in 0 (P25).

Wiring diagrams



Certifications and compliance

Compliance

- IEC/EN/BS 60947-1
- IEC/EN/BS 60947-3
- IEC/EN/BS 60947-5-1

Certificates

EAC

ETIM classification

ETIM 8.0

EC001029 -
Selector switch,
complete