

**General characteristics**

Switching diagram	19 - Dahlander motor control switch 0-1-2
N° of elements	4
Mounting form	U65 - Front mounting with red/yellow handle padlockable in 0 and protection covers

**Contact characteristics**

Rated insulation voltage $U_i$	IEC/EN	V	690	
	UL/CSA	V	600	
Rated impulse withstand voltage $U_{imp}$		kV	6	
Conventional free air thermal current $I_{th}$	IEC/EN	A	63	
	UL/CSA	A	60	
Rated operational voltage		V	480	
Rated operational impulse voltage		kV	4	
Maximum fuse size for short-circuit protection $I_n$ (gG)	10kA	A	63	
	15kA	A	63	
	25kA	A	63	
	50kA	A	63	
	63kA	A	63	
Rated short time current $I_{cw}$	1s	kA	1600	
			10/5 mA/V	
Conductivity			10/5 mA/V	
Operational current $I_e$ IEC/EN	AC1/AC21A	A	63	
	AC15			
	110V	A	32	
	220/230V	A	25	
	380/400V	A	15	
	660/690V	A	4	
Rated operational power in AC	Three-phase AC-3	220/230V	kW	11
		380/440V	kW	18.5
		500/690V	kW	18.5
	Single-phase AC-3	110V	kW	3.7
		220/230V	kW	6.5
		380/440V	kW	11.5
	Three-phase AC23A	220/230V	kW	12.5
		380/440V	kW	30
		500/690V	kW	30
	Single-phase AC23A	110V	kW	3.7
		220/230V	kW	7.5

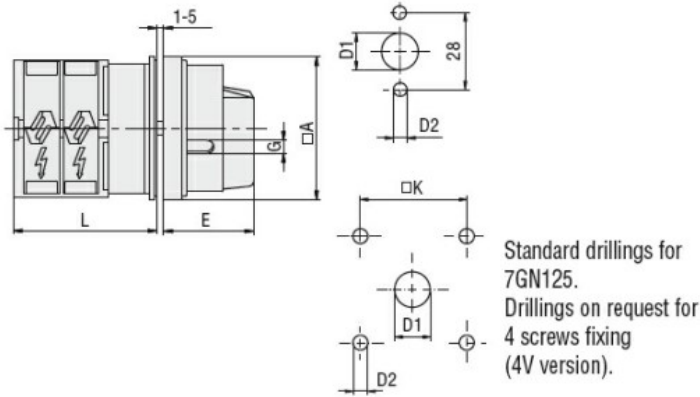
	380/440V	kW	12.5
Rated operational current in DC			
DC21A	48V	A	63
	60V	A	50
	110V	A	8
	220V	A	1
DC23A (poles in series)	24V	A	50 (1)
	48V	A	50 (2)
	60V	A	50 (3)
	110V	A	25 (3)
	220V	A	15 (4)
DC13	24V	A	63
	48V	A	40
	60V	A	28
	110V	A	3.3
Power dissipation		W	3.4
<b>Mechanical features</b>			
Terminals screw			M5
Tightening torque for terminals max		Nm	2
Conductor size			
AWG - Rigid cable	min	AWG	14
	Max	AWG	6
AWG - Flexible cable	min	AWG	14
	Max	AWG	8
Conductor size (IEC) - Flexible cable	min	mm <sup>2</sup>	2.5
	Max	mm <sup>2</sup>	10
Conductor size (IEC) - Rigid cable	min	mm <sup>2</sup>	2.5
	Max	mm <sup>2</sup>	16
Mechanical life		cycles	5x10 <sup>6</sup>
<b>UL technical data</b>			
Motor power for direct-on-line control			
for three-phase motor	120V	HP	7.5
	240V	HP	15
	480V	HP	25
	600V	HP	25
for single-phase motor	120V	HP	3
	240V	HP	10
<b>Ambient conditions</b>			
Temperature			
Operating temperature	min	°C	-25
	max	°C	+55
Storage temperature	min	°C	-40
	max	°C	+70

**Resistance & Protection**

Frontal IP degree IP40

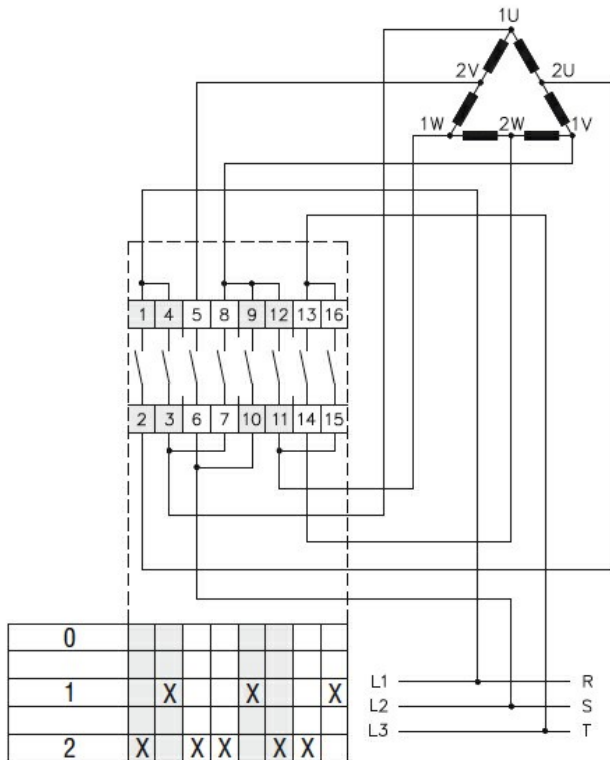
Terminals IP degree IP00

**Dimensions**



Series	Dimensions						L				
	□A	D1	D2	E	G	□K	1	2	3...12		
7GN12	65	12	5	34.2	5	36	36.1	45.8	55.5	142.8	
7GN20	65	12	5	34.2	5	36	36.1	45.8	55.5	142.8	
7GN25	65	12	5	34.2	5	36	40.5	54.1	67.7	190.1	
7GN32	65	14	5	38	6	48	46.5	61.6	76.7	212.6	
7GN40	65	14	5	38	6	48	46.5	61.6	76.7	212.6	
7GN63	65	14	5	38	6	48	50.3	68.4	86.5	249.4	
7GN125	90	16	6	49	7	68	67.3	96.4	125.5	394.9	

**Wiring diagrams**



**Certifications and compliance**

**Compliance**

- CSA C22.2 n° 14
- IEC/EN/BS 60947-1
- IEC/EN/BS 60947-3
- IEC/EN/BS 60947-5-1
- UL60947-4-1

**Certificates**

- cCSAus
- EAC
- UL

**ETIM classification**

ETIM 8.0

EC001029 -  
Selector switch,  
complete

ROTARY CAM SWITCH 7GN SERIES, DAHLANDER MOTOR CONTROL SWITCH 0-1-2, 63A,  
FOR FRONT MOUNTING WITH RED/YELLOW HANDLE PADLOCKABLE IN 0 AND  
PROTECTION COVERS, FRONT PLATE 65X65MM