

General characteristics

Switching diagram	20 - Dahlander motor 2-speed reversing switch
N° of elements	6
Mounting form	U - Front mounting with black handle

Contact characteristics

Rated insulation voltage U_i	IEC/EN	V	690	
	UL/CSA	V	600	
Rated impulse withstand voltage U_{imp}		kV	6	
Conventional free air thermal current I_{th}	IEC/EN	A	63	
	UL/CSA	A	60	
Rated operational voltage		V	480	
Rated operational impulse voltage		kV	4	
Maximum fuse size for short-circuit protection I_n (gG)	10kA	A	63	
	15kA	A	63	
	25kA	A	63	
	50kA	A	63	
	63kA	A	63	
Rated short time current I_{cw}	1s	kA	1600	
			10/5 mA/V	
Conductivity				
Operational current I_e IEC/EN	AC1/AC21A		A	63
	AC15			
	110V	A	32	
	220/230V	A	25	
	380/400V	A	15	
	660/690V	A	4	
Rated operational power in AC	Three-phase AC-3			
	220/230V	kW	11	
	380/440V	kW	18.5	
	500/690V	kW	18.5	
	Single-phase AC-3			
	110V	kW	3.7	
	220/230V	kW	6.5	
	380/440V	kW	11.5	
	Three-phase AC23A			
	220/230V	kW	12.5	
	380/440V	kW	30	
	500/690V	kW	30	
Single-phase AC23A				
110V	kW	3.7		
220/230V	kW	7.5		
380/440V	kW	12.5		
Rated operational current in DC				

DC21A	48V	A	63
	60V	A	50
	110V	A	8
	220V	A	1

DC23A (poles in series)	24V	A	50 (1)
	48V	A	50 (2)
	60V	A	50 (3)
	110V	A	25 (3)
	220V	A	15 (4)

DC13	24V	A	63
	48V	A	40
	60V	A	28
	110V	A	3.3

Power dissipation		W	3.4
-------------------	--	---	-----

Mechanical features

Terminals screw			M5
-----------------	--	--	----

Tightening torque for terminals max		Nm	2
-------------------------------------	--	----	---

Conductor size

AWG - Rigid cable	min	AWG	14
	Max	AWG	6

AWG - Flexible cable	min	AWG	14
	Max	AWG	8

Conductor size (IEC) - Flexible cable	min	mm ²	2.5
	Max	mm ²	10

Conductor size (IEC) - Rigid cable	min	mm ²	2.5
	Max	mm ²	16

Mechanical life		cycles	5x10 ⁶
-----------------	--	--------	-------------------

UL technical data

Motor power for direct-on-line control for three-phase motor	120V	HP	7.5
	240V	HP	15
	480V	HP	25
	600V	HP	25

for single-phase motor	120V	HP	3
	240V	HP	10

Ambient conditions

Temperature

Operating temperature	min	°C	-25
	max	°C	+55

Storage temperature	min	°C	-40
	max	°C	+70

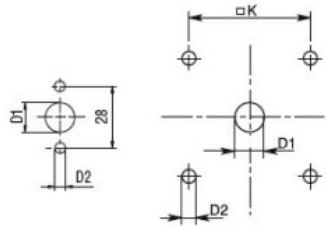
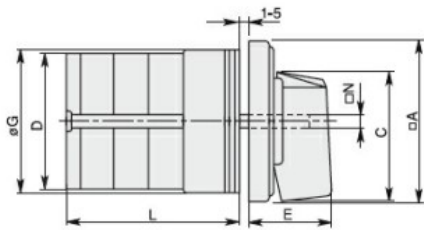
Resistance & Protection

Frontal IP degree			IP40
-------------------	--	--	------

Terminals IP degree

IP00

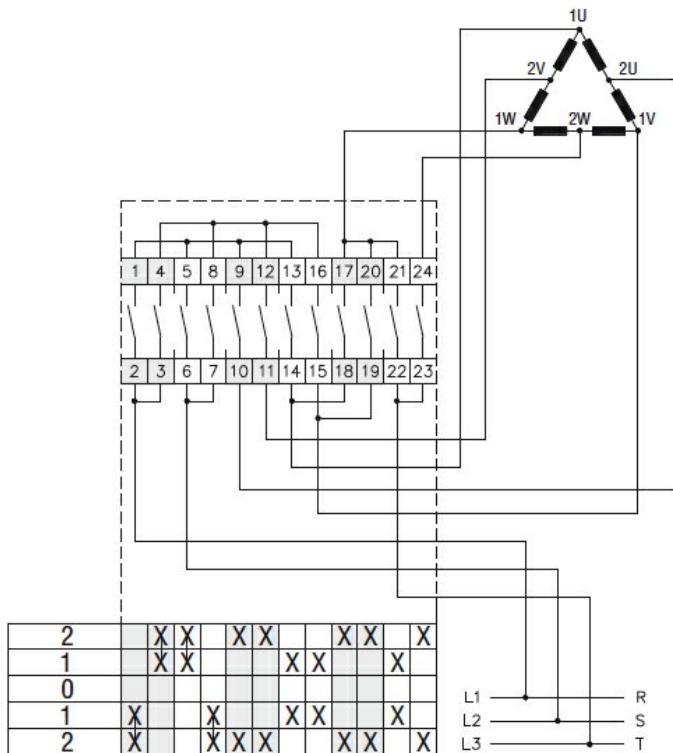
Dimensions



Standard drillings for 7GN125.
Drillings on request for 4 screws fixing
(4V version).

Series	Dimensions									L Number of elements											
	□A	C	ØD	ØD1	ØD2	E	ØG	□K	□N	1	2	3	4	5	6	7	8	9	10	11	12
7GN12	48	39.5	39	12	5	26.5	38	36	6	36.1	45.8	55.5	65.2	74.9	84.6	94.3	104	113.7	123.4	133.1	142.8
7GN20	48	39.5	39	12	5	26.5	38	36	6	36.1	45.8	55.5	65.2	74.9	84.6	94.3	104	113.7	123.4	133.1	142.8
7GN25	48	39.5	43	12	5	26.5	38	36	6	40.5	54.1	67.7	81.3	94.9	108.5	122.1	135.7	147.3	162.9	176.5	190.1
7GN32	65	53	58	14	5	34.5	58.5	48	7	46.5	61.6	76.7	91.8	106.9	122	137.1	152.2	167.3	182.4	197.5	212.6
7GN40	65	53	58	14	5	34.5	58.5	48	7	46.5	61.6	76.7	91.8	106.9	122	137.1	152.2	167.3	182.4	197.5	212.6
7GN63	65	53	62	14	5	34.5	58.5	48	7	50.3	68.4	86.5	104.6	122.7	140.8	158.9	177	195.1	213.2	231.3	249.4
7GN125	90	70.5	86	16	6	41.5	84	68	9	67.3	96.4	125.5	154.6	183.7	220.3	249.4	278.5	307.6	336.7	365.8	394.9

Wiring diagrams



Certifications and compliance

Compliance

- CSA C22.2 n° 14
- IEC/EN/BS 60947-1
- IEC/EN/BS 60947-3
- IEC/EN/BS 60947-5-1
- UL60947-4-1

Certificates

cCSAus

EAC

UL

ETIM classification

ETIM 8.0

EC001029 -
Selector switch,
complete