



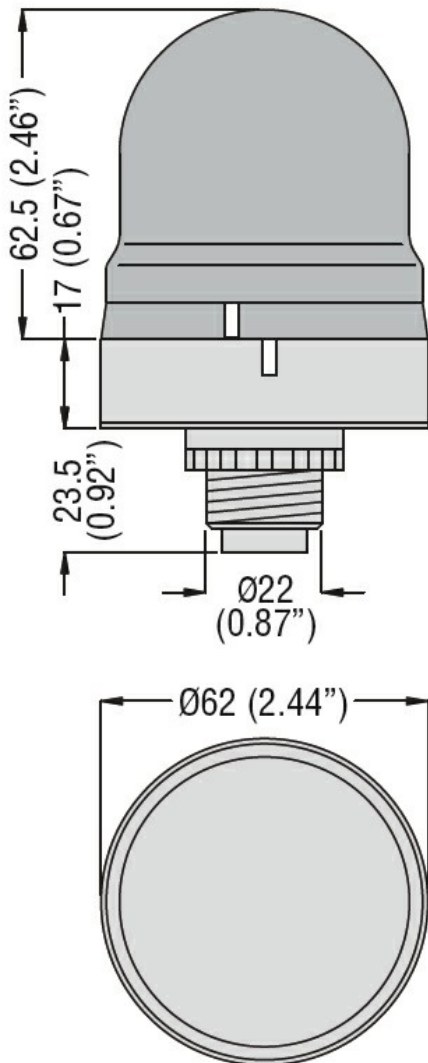
**General characteristics**

Diameter	mm - inch	62 / 2.44
Colour		Black
Material		Plastic

**Mechanical features**

Weight	g	40
--------	---	----

**Dimensions**



**Certifications and compliance**

Compliance /

Certificates /

**ETIM classification**

ETIM 8.0

EC001154 -  
Stand for signal  
tower without  
tube