



General characteristics

Diameter	mm - inch	62 / 2.44
Colour		Red
IEC degree of protection		IP54

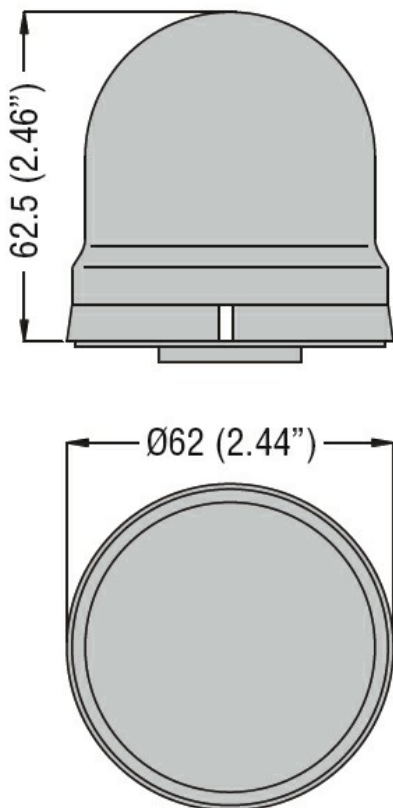
Mechanical features

Tightening torque for terminals max	Nm	0.5
Terminals screw		Screw clamp terminals
Conductor section		
	AWG/Kcmil	
		max 16
	IEC	
		max mm ² 1.5
Weight		g 60

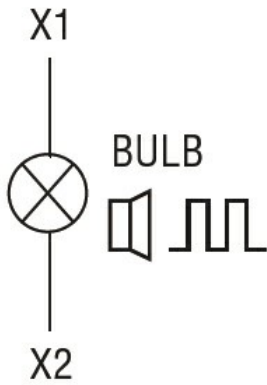
Ambient conditions

Temperature	Operating temperature			
		min	°C	-20
		max	°C	+50

Dimensions



Wiring diagrams



Certifications and compliance

Compliance

IEC/EN 60947-1
 IEC/EN 60947-5-1

Certificates

EAC

ETIM classification

ETIM 8.0

EC000232 -
 Optical module
 for signal tower