



### General characteristics

Diameter	mm - inch	62 / 2.44
Colour		Blue
IEC degree of protection		IP54

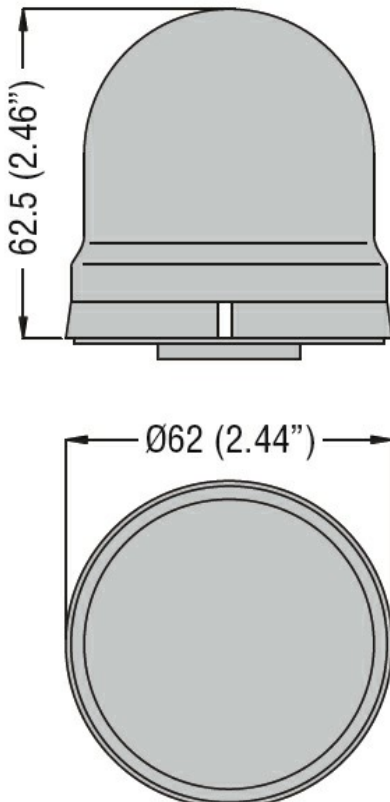
### Mechanical features

Tightening torque for terminals max	Nm	0.5
Terminals screw		Screw clamp terminals
Conductor section		
	AWG/Kcmil	
		max 16
	IEC	
		max mm <sup>2</sup> 1.5
Weight		g 60

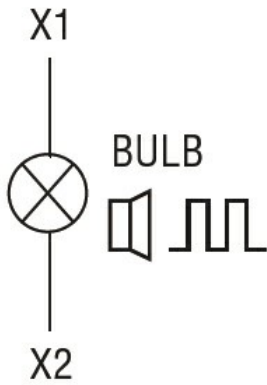
### Ambient conditions

Temperature	Operating temperature		
		min °C	-20
		max °C	+50

### Dimensions



### Wiring diagrams



**Certifications and compliance**

Compliance

IEC/EN 60947-1  
 IEC/EN 60947-5-1

Certificates

EAC

**ETIM classification**

ETIM 8.0

EC000232 -  
 Optical module  
 for signal tower