



### General characteristics

Diameter	mm - inch	62 / 2.44
Supply voltage (AC)	V	12...48
Supply voltage (DC)	V	12...48
Colour		Blue
IEC degree of protection		IP54

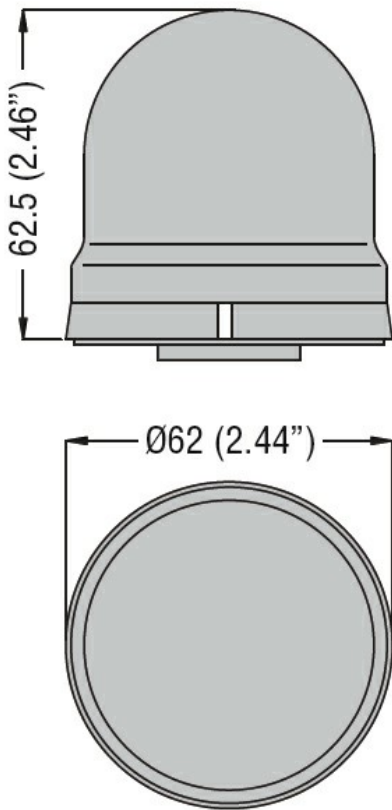
### Mechanical features

Tightening torque for terminals max	Nm	0.5
Terminals screw		Screw clamp terminals
Conductor section		
AWG/Kcmil	max	16
IEC	max	mm <sup>2</sup> 1.5
Weight	g	60

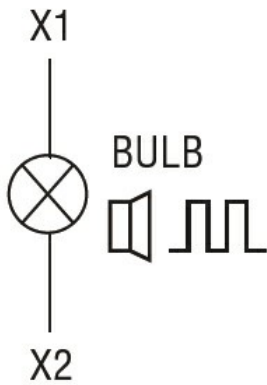
### Ambient conditions

Temperature			
Operating temperature	min	°C	-20
	max	°C	+50

### Dimensions



**Wiring diagrams**



**Certifications and compliance**

**Compliance**

IEC/EN 60947-1  
 IEC/EN 60947-5-1

**Certificates**

EAC

**ETIM classification**

ETIM 8.0

EC000232 -  
 Optical module  
 for signal tower