



Signal beacons  
Ø62mm/2.44"  
8LB6GL

Product designation

Product type designation

**General characteristics**

Diameter	mm - inch	62 / 2.44
Supply voltage (AC)	V	12...48
Supply voltage (DC)	V	12...48
Colour		White
IEC degree of protection		IP54

**Mechanical features**

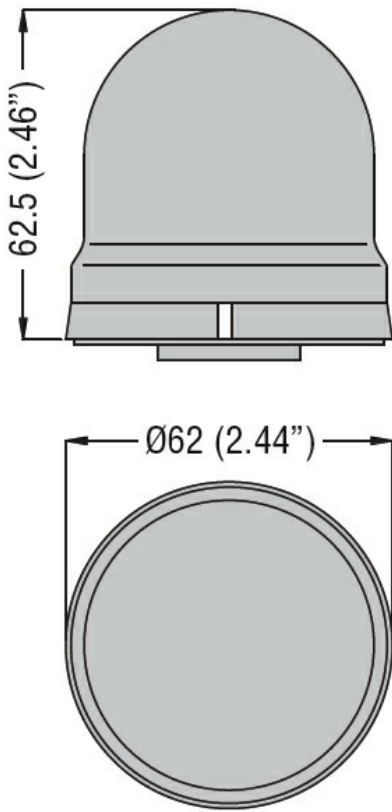
Tightening torque for terminals max	Nm	0.5
Terminals screw		Screw clamp terminals

Conductor section	AWG/Kcmil		
		max	16
	IEC		
		max	mm <sup>2</sup> 1.5
Weight		g	60

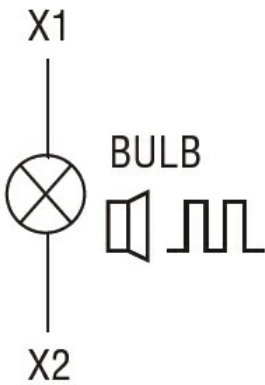
**Ambient conditions**

Temperature	Operating temperature	min	°C	-20
		max	°C	+50

**Dimensions**



**Wiring diagrams**



**Certifications and compliance**

**Compliance**

IEC/EN 60947-1  
 IEC/EN 60947-5-1

**Certificates**

EAC

**ETIM classification**

ETIM 8.0

EC000232 -  
 Optical module  
 for signal tower