



**General characteristics**

Diameter	mm - inch	62 / 2.44
Supply voltage (AC)	V	24...230
Colour		Yellow
IEC degree of protection		IP54

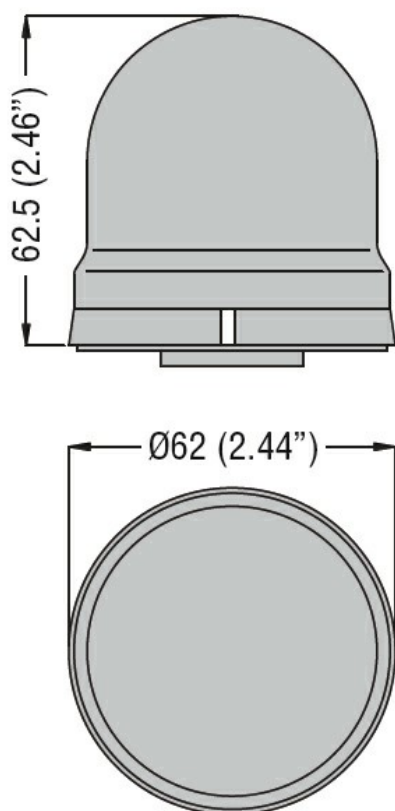
**Mechanical features**

Tightening torque for terminals max	Nm	0.5
Terminals screw		Screw clamp terminals
Conductor section		
	AWG/Kcmil	
		max 16
	IEC	
		max mm <sup>2</sup> 1.5
Weight	g	60

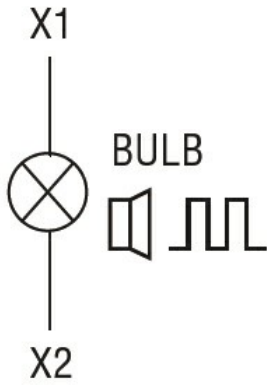
**Ambient conditions**

Temperature			
	Operating temperature		
		min °C	-20
		max °C	+50

**Dimensions**



Wiring diagrams



Certifications and compliance

Compliance

IEC/EN 60947-1  
IEC/EN 60947-5-1

Certificates

EAC

ETIM classification

ETIM 8.0

EC000232 -  
Optical module  
for signal tower