



General characteristics

| | | |
|--------------------------|-----------|-----------|
| Diameter | mm - inch | 62 / 2.44 |
| Supply voltage (AC) | V | 24...230 |
| Colour | | White |
| IEC degree of protection | | IP54 |

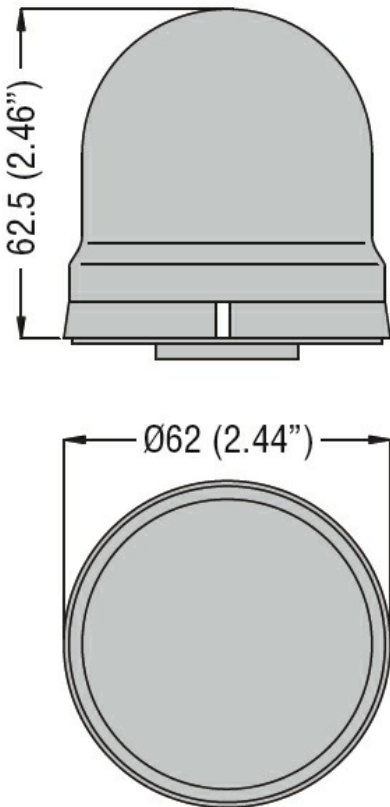
Mechanical features

| | | |
|-------------------------------------|-----------|-------------------------|
| Tightening torque for terminals max | Nm | 0.5 |
| Terminals screw | | Screw clamp terminals |
| Conductor section | | |
| | AWG/Kcmil | |
| | | max 16 |
| | IEC | |
| | | max mm ² 1.5 |
| Weight | g | 60 |

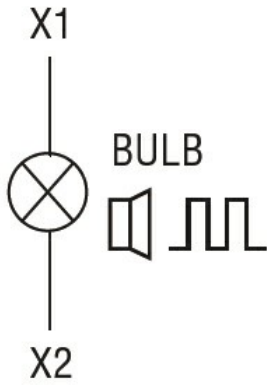
Ambient conditions

| | | | |
|-------------|-----------------------|--------|-----|
| Temperature | | | |
| | Operating temperature | | |
| | | min °C | -20 |
| | | max °C | +50 |

Dimensions



Wiring diagrams



Certifications and compliance

Compliance

IEC/EN 60947-1
IEC/EN 60947-5-1

Certificates

EAC

ETIM classification

ETIM 8.0

EC000232 -
Optical module
for signal tower