



### General characteristics

Diameter	mm - inch	62 / 2.44
Supply voltage (AC)	V	24
Supply voltage (DC)	V	24
Colour		Yellow
IEC degree of protection		IP54
Sound module consumption (AC)	mA	150
Sound module consumption (DC)	mA	150
Sound intensity	dB	80

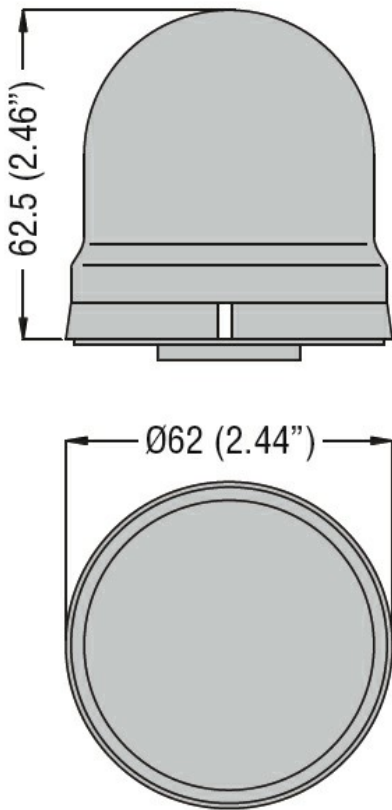
### Mechanical features

Tightening torque for terminals max	Nm	0.5
Terminals screw		Screw clamp terminals
Conductor section		
AWG/Kcmil	max	16
IEC	max	mm <sup>2</sup> 1.5
Weight	g	60

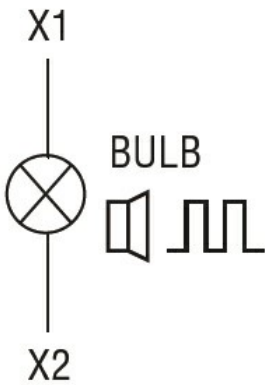
### Ambient conditions

Temperature			
Operating temperature	min	°C	-20
	max	°C	+50

### Dimensions



### Wiring diagrams



### Certifications and compliance

#### Compliance

IEC/EN 60947-1  
IEC/EN 60947-5-1

#### Certificates

EAC

### ETIM classification

ETIM 8.0

EC000232 -  
Optical module  
for signal tower