



### General characteristics

Diameter	mm - inch	45 / 1.77
Supply voltage (DC)	V	24±10%
Colour		Green, orange, red
IEC degree of protection		IP54
Light consumption per module (DC)	mA	37

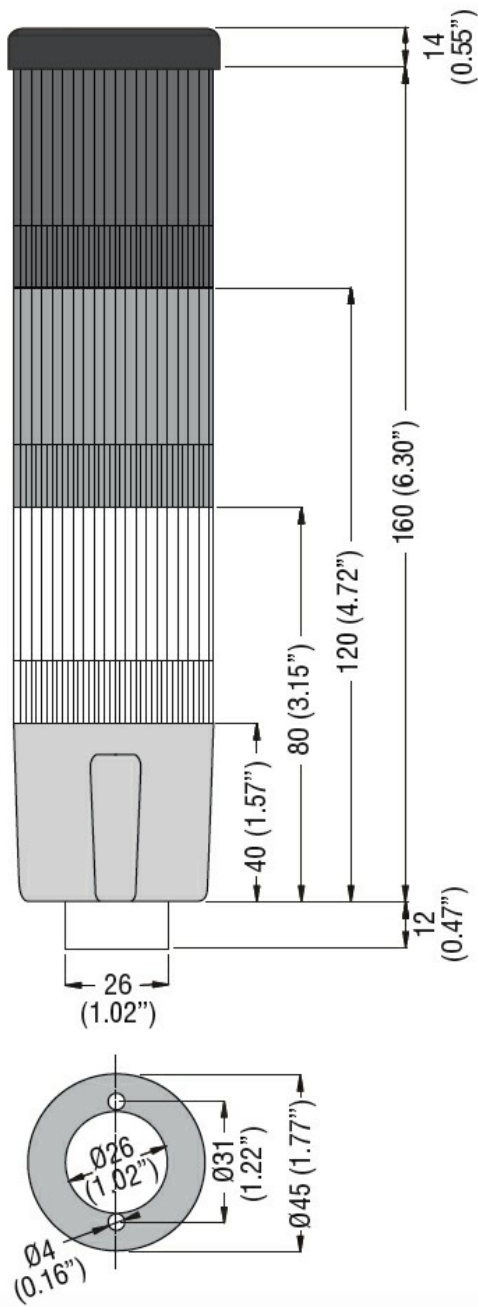
### Mechanical features

Tightening torque for terminals max	Nm	0.5
Terminals screw		Screw clamp terminals
Conductor section		
AWG/Kcmil	max	16
IEC	max	mm <sup>2</sup> 1.5
Weight	g	240

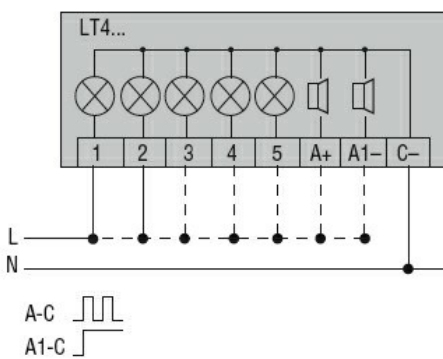
### Ambient conditions

Temperature			
Operating temperature	min	°C	-20
	max	°C	+50

### Dimensions



## Wiring diagrams



## Certifications and compliance

### Compliance

CSA C22.2 n° 14

IEC/EN 60947-1

IEC/EN 60947-5-1

UL508

Certificates

cULus

EAC

ETIM classification

ETIM 8.0

EC001042 -  
Signal tower  
complete