



General characteristics

Diameter	mm - inch	45 / 1.77
Supply voltage (DC)	V	24±10%
Colour		White, green, blue, orange, red
IEC degree of protection		IP54
Light consumption per module (DC)	mA	37

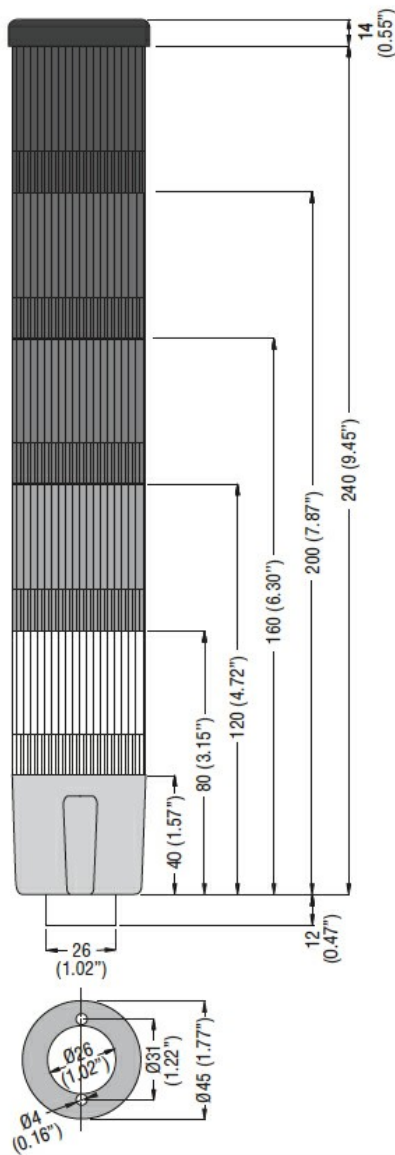
Mechanical features

Tightening torque for terminals max	Nm	0.5
Terminals screw		Screw clamp terminals
Conductor section		
AWG/Kcmil	max	16
IEC	max	mm ² 1.5
Weight	g	400

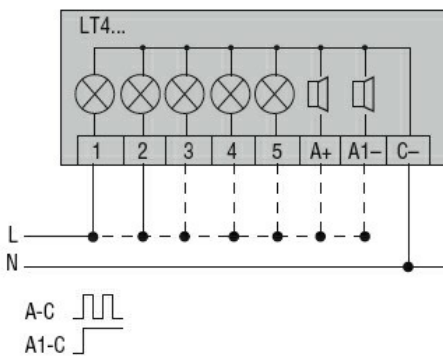
Ambient conditions

Temperature			
Operating temperature	min	°C	-20
	max	°C	+50

Dimensions



Wiring diagrams



Certifications and compliance

Compliance

CSA C22.2 n° 14

IEC/EN 60947-1

IEC/EN 60947-5-1

UL508

Certificates

cULus
EAC

ETIM classification

ETIM 8.0

EC001042 -
Signal tower
complete