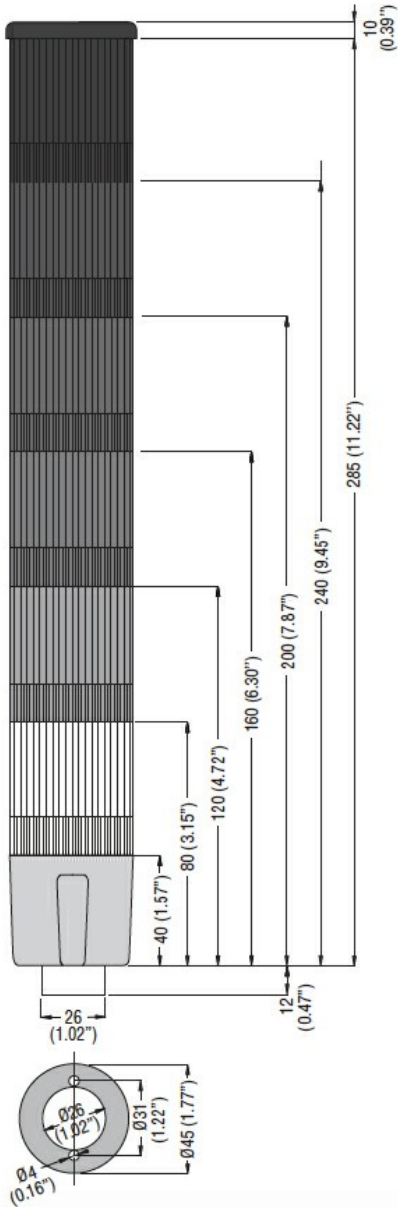
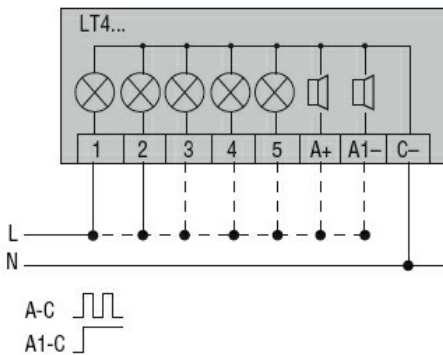




General characteristics				
Diameter		mm - inch	45 / 1.77	
Supply voltage (DC)		V	24±10%	
Colour			White, green, blue, orange, red	
IEC degree of protection			IP65	
Light consumption per module (DC)		mA	37	
Sound module consumption (DC)		mA	15	
Sound intensity		dB	80	
Mechanical features				
Tightening torque for terminals max		Nm	0.5	
Terminals screw			Screw clamp terminals	
Conductor section	AWG/Kcmil			
		max		16
	IEC			
		max	mm <sup>2</sup>	1.5
Weight			g	480
Ambient conditions				
Temperature	Operating temperature			
		min	°C	-20
		max	°C	+50
Dimensions				



### Wiring diagrams



### Certifications and compliance

#### Compliance

CSA C22.2 n° 14  
IEC/EN 60947-1  
IEC/EN 60947-5-1  
UL508

---

Certificates

cULus

---

EAC

ETIM classification

ETIM 8.0

EC001042 -  
Signal tower  
complete