



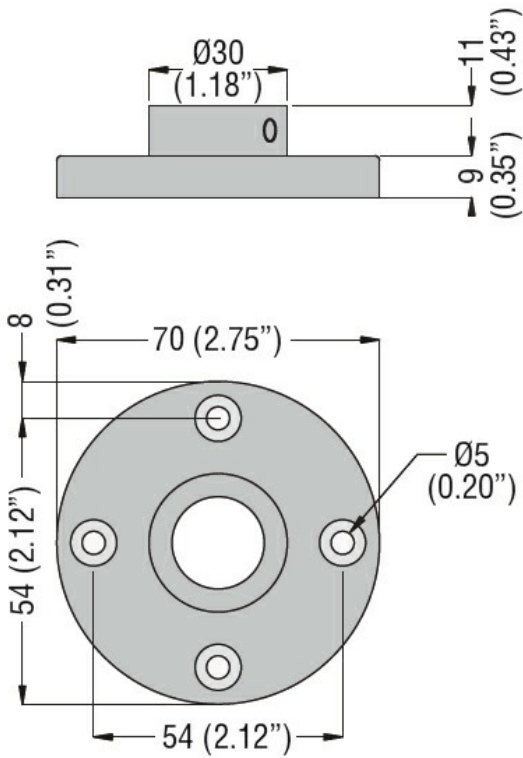
**General characteristics**

Diameter	mm - inch	70 / 2.75
Colour		Black
Material		Metal

**Mechanical features**

Weight	g	99
--------	---	----

**Dimensions**



**Certifications and compliance**

Compliance	/
------------	---

Certificates	/
--------------	---

**ETIM classification**

ETIM 8.0	EC001259 - Stand for signal tower with tube
----------	---