



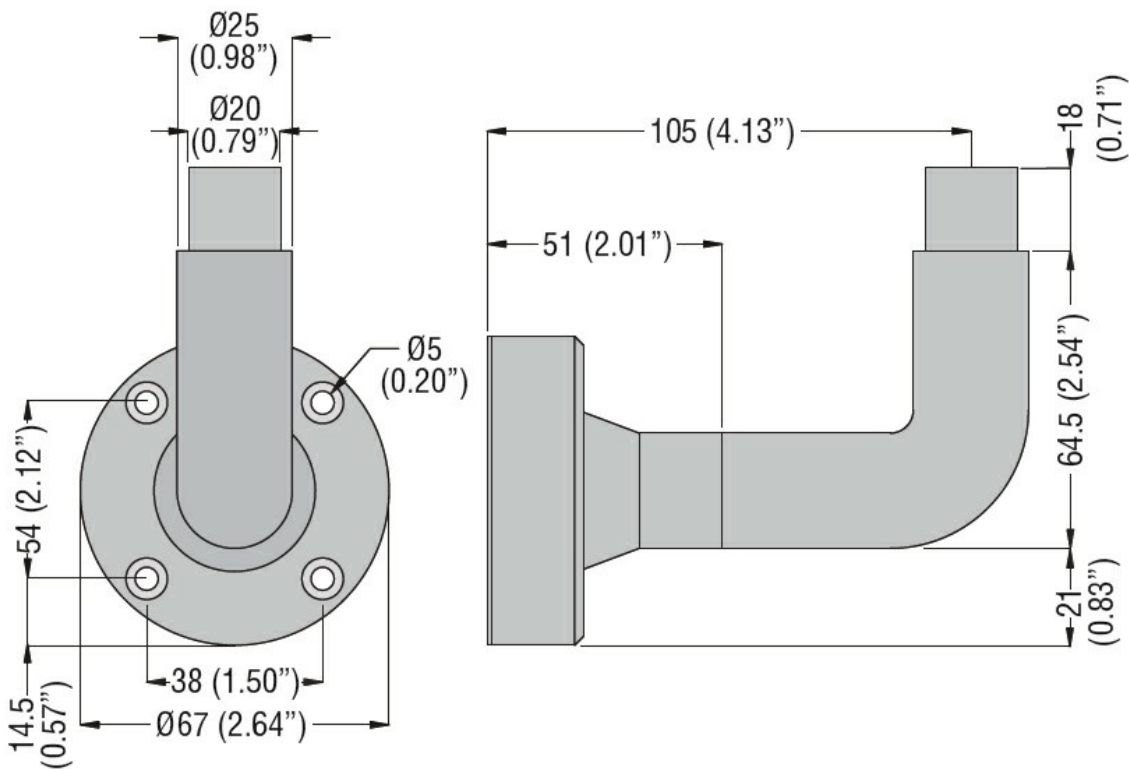
General characteristics

| | | |
|----------|-----------|-----------------------|
| Diameter | mm - inch | 62 / 2.44 - 70 / 2.75 |
| Colour | | Black |
| Material | | Plastic |

Mechanical features

| | | |
|--------|---|----|
| Weight | g | 78 |
|--------|---|----|

Dimensions



Certifications and compliance

| | |
|--------------|---|
| Compliance | / |
| Certificates | / |

ETIM classification

| | |
|----------|--|
| ETIM 8.0 | EC001153 - Wall bracket for signal tower |
|----------|--|