



General characteristics

Diameter	mm - inch	70 / 2.75
Supply voltage (AC)	V	24
Supply voltage (DC)	V	24
Colour		Yellow
IEC degree of protection		IP65
Light consumption per module (AC)	mA	135
Light consumption per module (DC)	mA	75
Sound module consumption (AC)	mA	135
Sound module consumption (DC)	mA	75

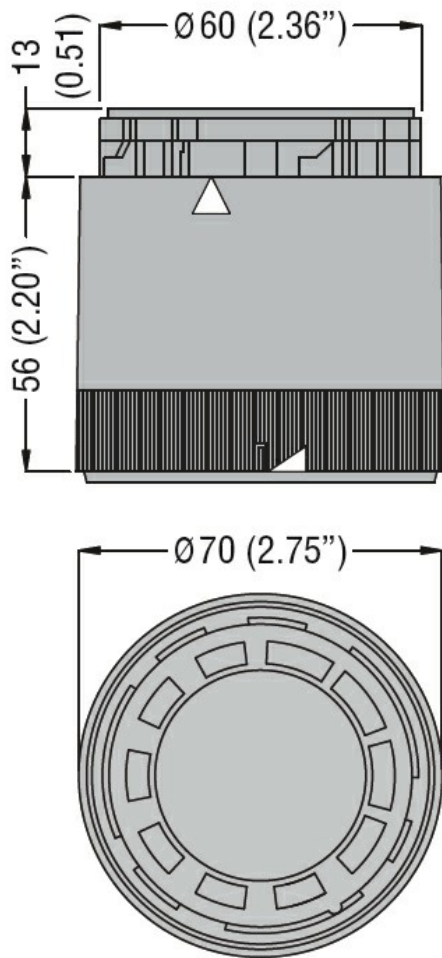
Mechanical features

Weight	g	92
--------	---	----

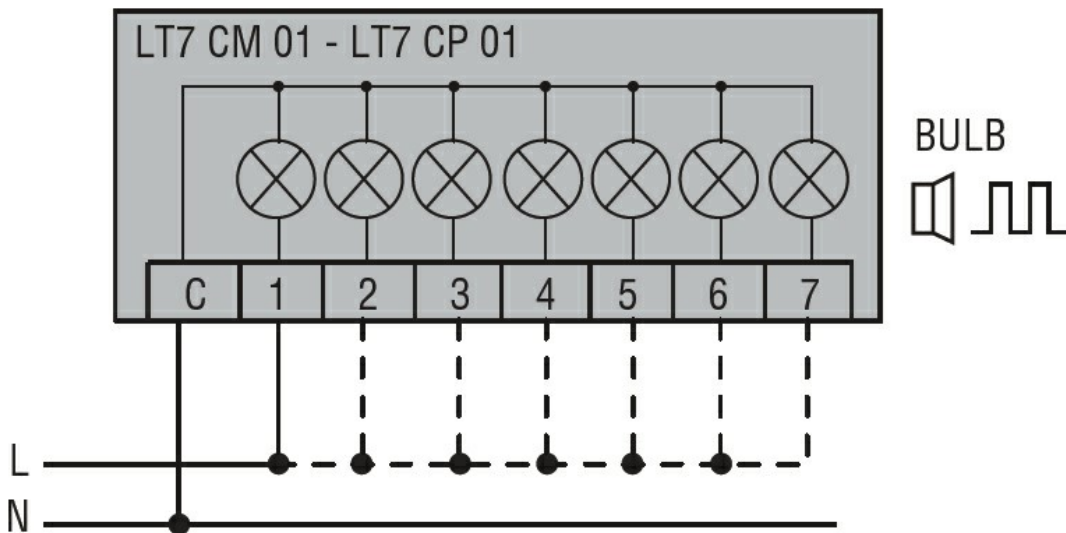
Ambient conditions

Temperature	Operating temperature	min	°C	-20
		max	°C	+50

Dimensions



Wiring diagrams



Connect terminals C and 1 as indicated to power the first module. If other modules are fitted, the respective terminals must be connected accordingly.

Certifications and compliance

Compliance

CSA C22.2 n° 14

IEC/EN 60947-1

IEC/EN 60947-5-1

UL508

Certificates

cULus

EAC

ETIM classification

ETIM 8.0

EC000232 -
Optical module
for signal tower