



General characteristics

Diameter	mm - inch	70 / 2.75
Supply voltage (AC)	V	110...120
Colour		Orange
IEC degree of protection		IP65

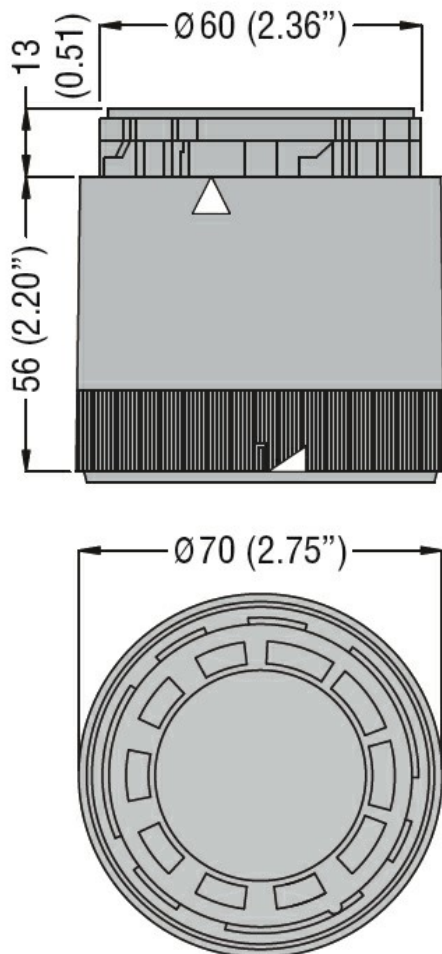
Mechanical features

Weight	g	83
--------	---	----

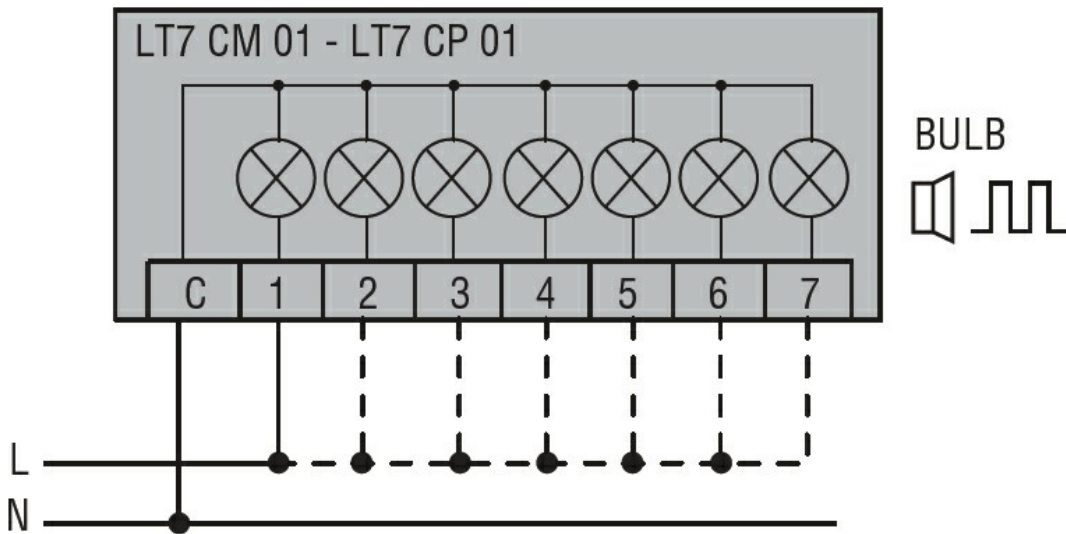
Ambient conditions

Temperature	Operating temperature	min	°C	-20
		max	°C	+50

Dimensions



Wiring diagrams



Connect terminals C and 1 as indicated to power the first module. If other modules are fitted, the respective terminals must be connected accordingly.

Certifications and compliance

Compliance

CSA C22.2 n° 14

IEC/EN 60947-1

IEC/EN 60947-5-1

UL508

Certificates

cULus

EAC

ETIM classification

ETIM 8.0

EC000232 -
 Optical module
 for signal tower