



General characteristics

Diameter	mm - inch	70 / 2.75
Supply voltage (AC)	V	230...240
Colour		Grey
IEC degree of protection		IP65
Sound module consumption (AC)	mA	30
Sound intensity	dB	75

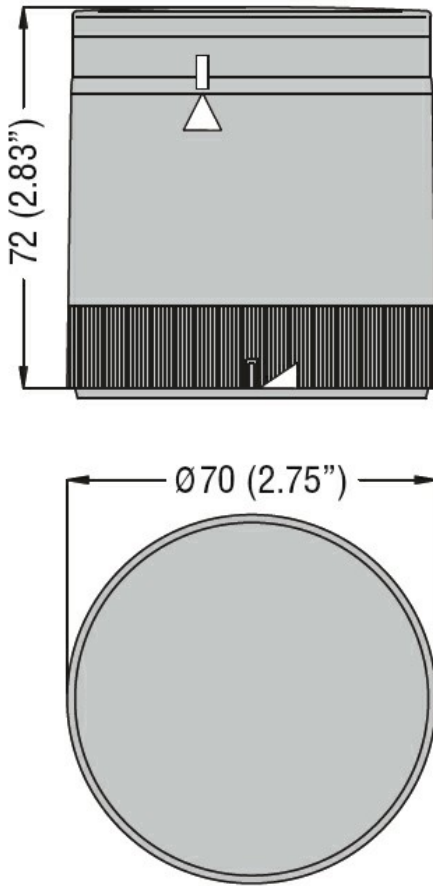
Mechanical features

Tightening torque for terminals max	Nm	0.5
Terminals screw		Screw clamp terminals
Conductor section		
AWG/Kcmil	max	16
IEC	max	mm ² 1.5
Weight	g	240

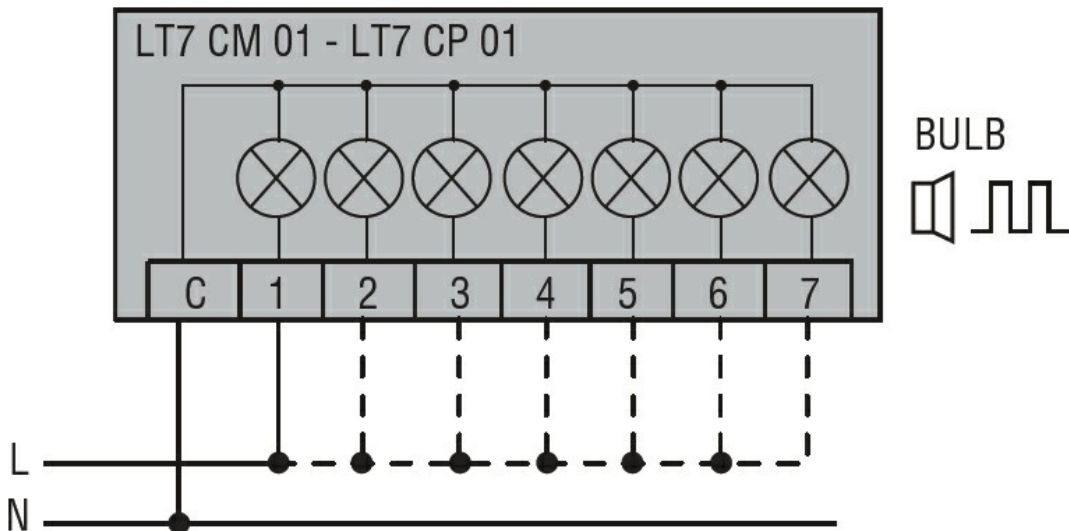
Ambient conditions

Temperature			
Operating temperature	min	°C	-20
	max	°C	+50

Dimensions



Wiring diagrams



Connect terminals C and 1 as indicated to power the first module.
 If other modules are fitted, the respective terminals must be
 connected accordingly.

Certifications and compliance

Compliance

- CSA C22.2 n°14
- IEC/EN 60947-1
- IEC/EN 60947-5-1
- UL508

Certificates

cULus

EAC

ETIM classification

ETIM 8.0

EC001261 -
Acoustic module
for signal tower