



Electrical features

Number of poles		2
Rated insulation voltage Ui	V	500
IEC Conventional free air thermal current Ith ≤ 40°C	A	100
Rated peak withstand current Ipk	kA	20
Rated short time current Icw 1s	kA	4.5

Connections

Terminal hole diameter_Option 1	mm	1x8.5mm
Conductor section connectable_Option 1	mm ²	10...25
Tightening torque Max_Option 1	Nm	2
	Ibin	18
Terminal hole diameter_Option 2	mm	3x5.5mm
Conductor section connectable_Option 2	mm ²	2.5...6
Tightening torque Max_Option 2	Nm	2
	Ibin	18
Terminal hole diameter_Option 3	mm	3x4.5mm
Conductor section connectable_Option 3	mm ²	1.5...4
Tightening torque Max_Option 3	Nm	1.2
	Ibin	11

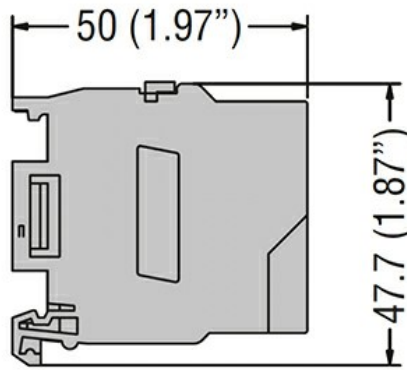
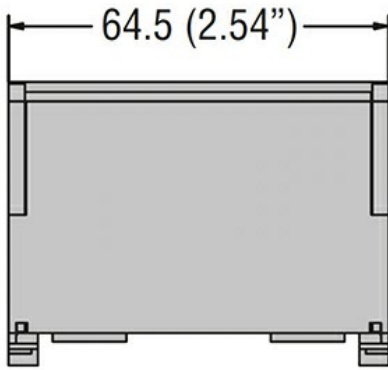
Mechanical features

Operating position	normal allowable	Vertical plane Any
Fixing		Screw / DIN rail 35mm
Phillips		2
Weight	g	130

Resistance & Protection

Terminals IP degree	IP20 front
---------------------	------------

Dimensions



Certifications and compliance

Certifications

IEC/EN/BS 60947-7-1

Compliance

TÜV

ETIM classification

EC000066 - Power contactor, AC switching