



Electrical features

Number of poles		4
Rated insulation voltage Ui	V	500
IEC Conventional free air thermal current Ith ≤ 40°C	A	125
Rated peak withstand current Ipk	kA	20
Rated short time current Icw 1s	kA	4.5

Connections

Terminal hole diameter_Option 1	mm	2x8.8mm
Conductor section connectable_Option 1	mm ²	10...35
Tightening torque Max_Option 1	Nm	2
	Ibin	18
Terminal hole diameter_Option 2	mm	2x7.5mm
Conductor section connectable_Option 2	mm ²	10...25
Tightening torque Max_Option 2	Nm	2
	Ibin	18
Terminal hole diameter_Option 3	mm	7x5.5mm
Conductor section connectable_Option 3	mm ²	2.5...6
Tightening torque Max_Option 3	Nm	2
	Ibin	18

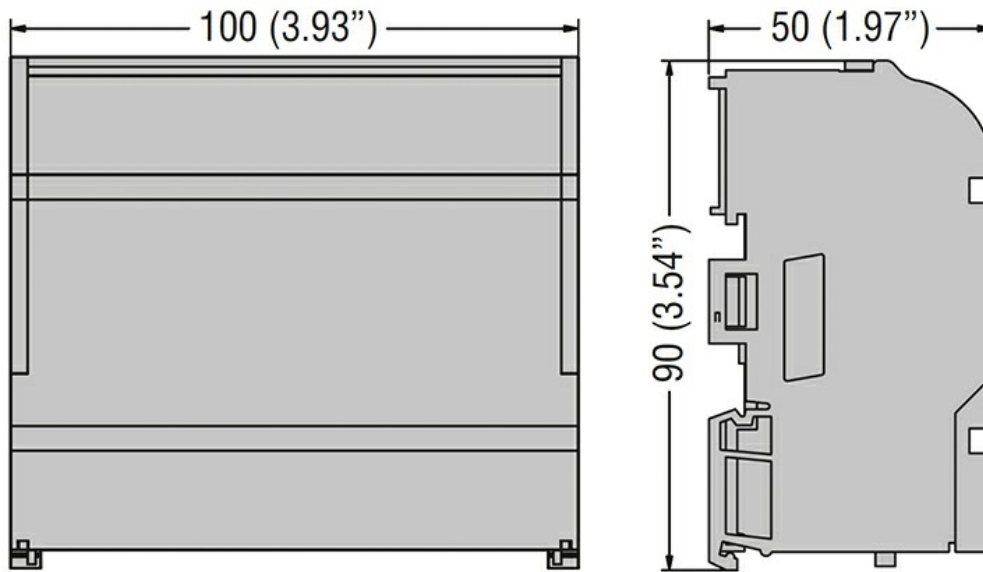
Mechanical features

Operating position	normal allowable	Vertical plane Any
Fixing		Screw / DIN rail 35mm
Phillips		2
Weight	g	345

Resistance & Protection

Terminals IP degree		IP20 front
---------------------	--	------------

Dimensions



Certifications and compliance

Certifications

IEC/EN/BS 60947-7-1

Compliance

TÜV

ETIM classification

EC000066 - Power contactor, AC switching