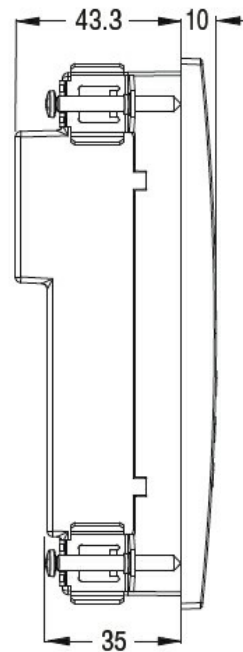
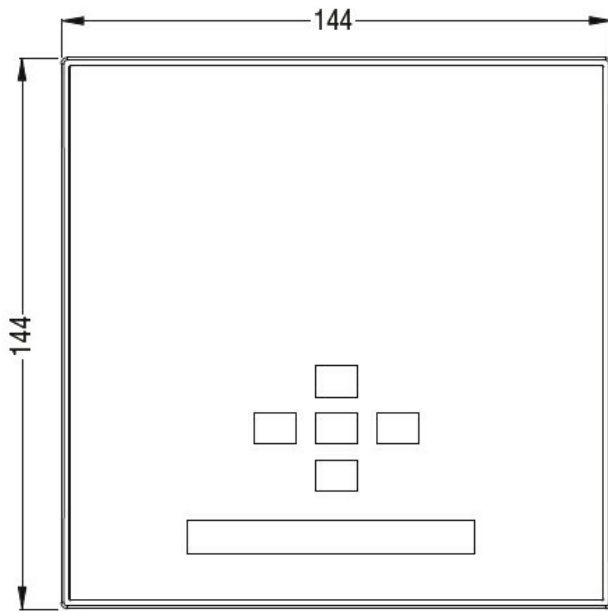




General characteristics			
Number of controlled power sources	Nr.	2	
Display		No	
Expandability		No	
AC Power supply			
Rated supply voltage AC	VAC	110...240	
Operating supply voltage range AC	VAC	90...300VAC L-N	
Rated frequency	Hz	50/60	
Operating frequency range	Hz	45...66	
Immunity time for microbreakings		110VAC	ms ≤200
		220VAC	ms ≤400
Power consumption AC (Max)	VA	3.7	
Voltage inputs			
Maximum rated voltage Ue		415VAC L-L (240VAC L-N)	
Measurement range	V	155...519VAC L-L (90...300VAC L-N)	
Frequency range	Hz	45...66	
Measurement method		True root mean square (TRMS)	
Input impedance		phase-phase	>1.0MΩ
		phase-neutral	>0.5MΩ
Measuring accuracy		±0.25% f.s.	
Wiring mode		Single-phase, two-phase, three- phase with neutral system	
Digital inputs			
Number of digital input	Nr.	2	
Type of digital input		Negative	
Digital current inputs	mA	≤5mA	
Low input signal	VDC	≤2.6V	
High input signal	VDC	≥3.1V	
Input signal delay	ms	≥50	
Relay outputs			
Number of relay output	Nr.	3	
Contact arrangement		2 x 1NO-SPST (OUT1, OUT2) + 1 x C/O-SPDT (OUT3)	
Electrical life	cycles	10 ⁵	
Mechanical life	cycles	10 ⁷	
Interface			

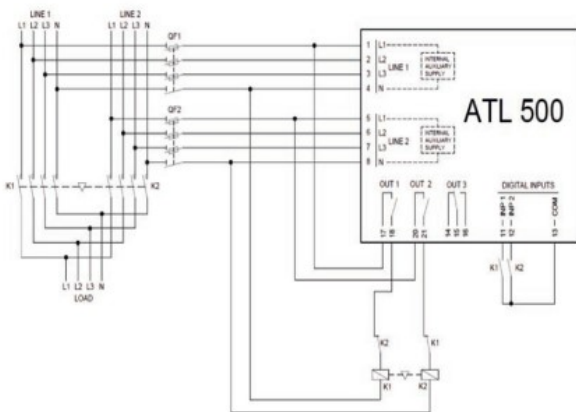
NFC interf.				Yes
Functions				
Programmable source type				Single-phase, two-phase, three- phase with neutral
Ambient conditions				
Temperature				
Operating temperature		min	°C	-30
		max	°C	+70
Storage temperature		min	°C	-30
		max	°C	+80
Relative humidity				% <80%
Maximum Pollution degree				2
Overvoltage category				3
Measurement category				III
Climatic sequence				Z/ABDM (IEC/EN 60068-2-61)
Shock resistance				15g (IEC/EN 60068-2-27)
Vibration resistance				0.7g (IEC/EN 60068-2-6)
Housing				
Execution				Flush mount
Material				Polycarbonate
Mounting				Flush mount - panel cut-out 138x138 mm
Degree of protection				IP40 on front, IP65 with optional gasket code EXP8001, IP20 on terminals
Dimensions (W x H x D)			mm	144 x 144 x 52.2mm
Weight			g	580

Dimensions

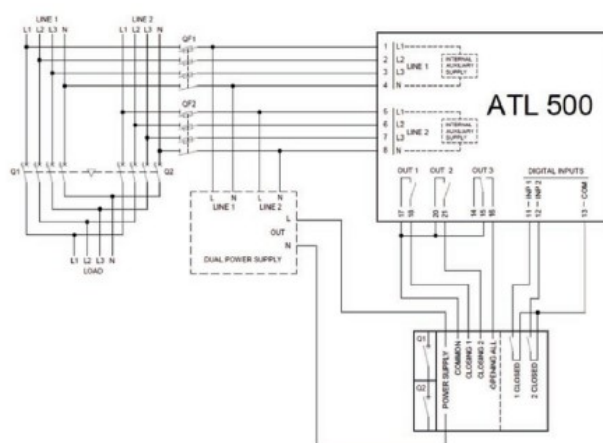


Wiring diagrams

Control of contactors - three-phase connection



Control of motorized changeover switch



Certifications and compliance

Compliance

- IEC/EN 60947-1
- IEC/EN 60947-6-1
- IEC/EN 61000-6-2
- IEC/EN 61000-6-3
- IEC/EN 61010-1
- IEC/EN 61010-2-030

Certificates

RCM

ETIM classification

ETIM 8.0

EC000236 - PLC
CPU-module