



General characteristics

Number of controlled power sources	Nr.	2
Display		Backlit LCD graphic display 128x80 pixel
Languages	Nr.	5
Expandability		No

AC Power supply

Rated supply voltage AC	VAC	110...240
Operating supply voltage range AC	VAC	90...264
Rated frequency	Hz	50/60
Operating frequency range	Hz	45...66
Immunity time for microbreakings		
	110VAC	ms ≤50
	220VAC	ms ≤250
Power consumption AC (Max)	VA	9.5

Voltage inputs

Maximum rated voltage Ue		100...480VAC L-L (277VAC L-N)
Measurement range	V	50...576VAC L-L (333VAC L-N)
Frequency range	Hz	45...65
Measurement method		True root mean square (TRMS)
Input impedance		
	phase-phase	>1.0MΩ
	phase-neutral	>0.5MΩ
Measuring accuracy		±0.25% f.s. ±1 digit
Wiring mode		Single-phase, two-phase, three-phase line with or without neutral and balanced three-phase system

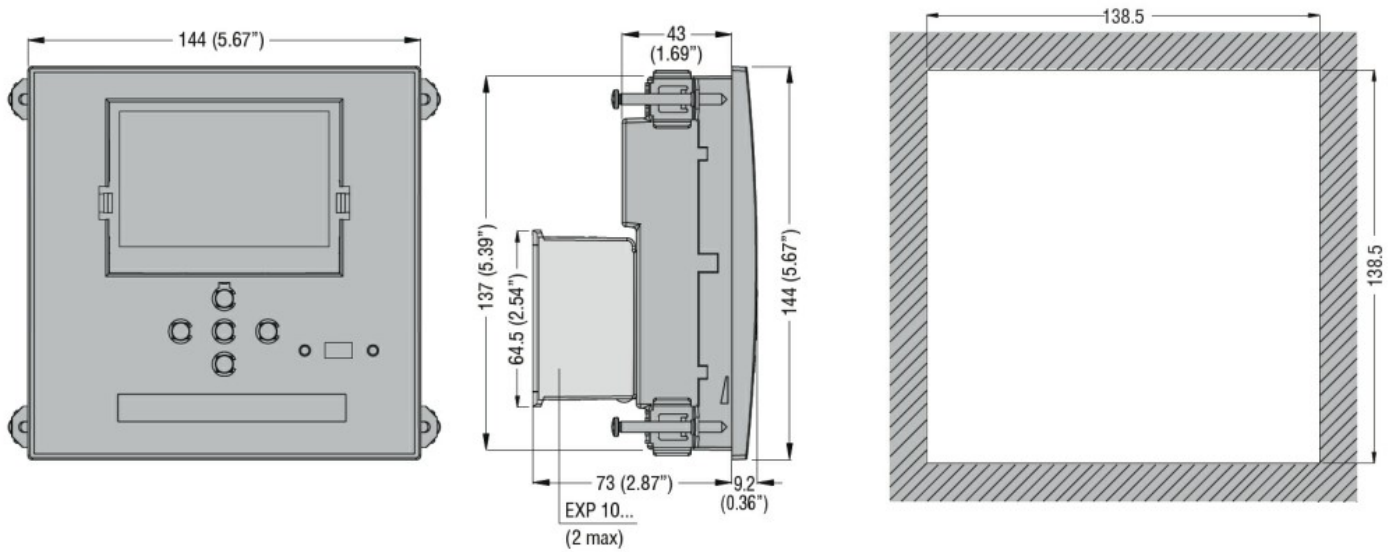
Digital inputs

Number of digital input	Nr.	6
Type of digital input		Negative
Digital current inputs	mA	<8
Low input signal	VDC	≤2.2
High input signal	VDC	≥3.4
Input signal delay	ms	≥50

Relay outputs

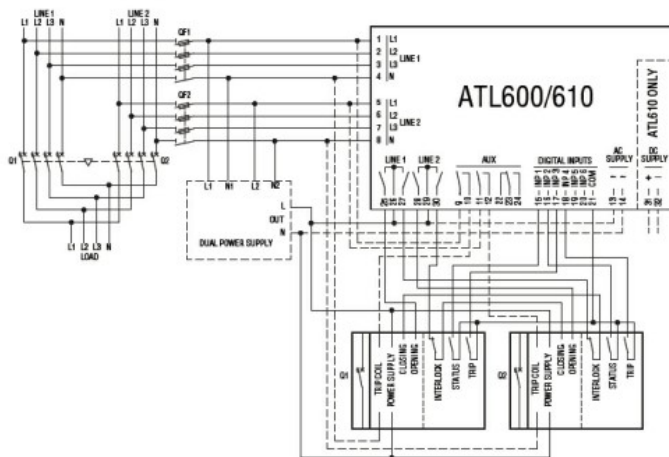
Number of relay output	Nr.	7
------------------------	-----	---

Contact arrangement				6 x 1NO-SPST + 1 x C/O-SPDT
Electrical life	cycles			10 ⁵
Mechanical life	cycles			10 ⁷
Interface				
Front optical USB communication port				Yes, with CX01 USB dongle (optional)
Front optical Wi-Fi communication port				Yes, with CX02 Wi-Fi dongle (optional)
Functions				
Programmable source type				Single-phase, two-phase, three- phase with or without neutral
User alarms				Yes
Limits				Yes
Event logging				100
Ambient conditions				
Temperature	Operating temperature			
	min	°C	-30	
	max	°C	+70	
	Storage temperature			
	min	°C	-30	
	max	°C	+80	
Relative humidity				% <80%
Maximum Pollution degree				2
Overvoltage category				3
Measurement category				III
Climatic sequence				Z/ABDM (IEC/EN 60068-2-61)
Shock resistance				15g (IEC/EN 60068-2-27)
Vibration resistance				0.7g (IEC/EN 60068-2-6)
Housing				
Execution				Flush mount
Material				Polycarbonate
Mounting				Flush mount - panel cut-out 138x138 mm
Degree of protection				IP40 on front, IP65 with optional gasket code EXP8001, IP20 on terminals
Dimensions (W x H x D)			mm	144 x 144 x 52.2mm
Weight			g	600
Dimensions				

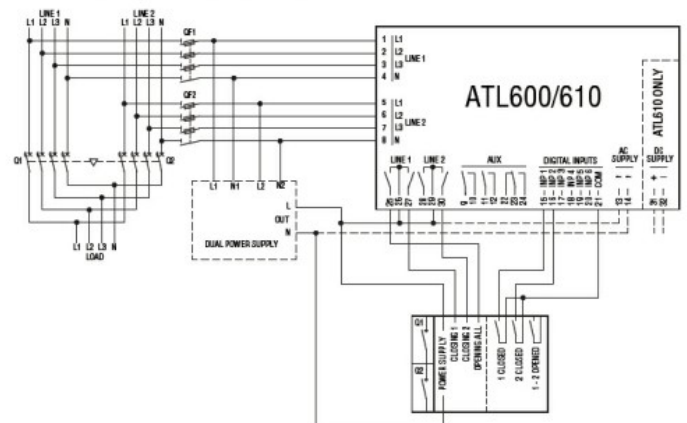


Wiring diagrams

Connection diagrams Motorised breaker control



Connection diagrams Motorised changeover switches control



Certifications and compliance

Compliance

CSA C22.2 n°14

IEC/EN 60947-1

IEC/EN 60947-6-1

IEC/EN 61000-6-2

IEC/EN 61000-6-3

UL508

Certificates

cULus

EAC

RCM

ETIM classification

ETIM 8.0

EC000236 - PLC
CPU-module