



### Power supply

Rated voltage  $U_s$

min	VAC	100
Max	VAC	240 $\pm$ 10%

Operational frequency

min	Hz	50 $\pm$ 5%
max	Hz	60 $\pm$ 5%

Power consumption

Max	VA	150
Max	W	70

Power dissipation Max

W 9

Internal fuse

A 2

### Charging cycle

Reference standards

IEC62368-1

Battery type

lead-acid

Battery voltage

VDC 12

Charging voltage ( $U_c$ )

13.6 VDC

Charging current ( $I_c$ )

A 4.5

Charging current adjustment

%  $I_c$  Fixed

Protections

Main supply fuse;  
charging  
inhibition due to:  
1. Short circuit at  
battery terminals;  
2. Reverse  
battery polarity; 3.  
Low voltage at  
battery poles; 4.  
Output overload.

### Indications

LED reverse battery polarity

Yes

### Alarm output circuit

Output type

1 relay

Rated capacity

AC1: 3A 250VAC

### Mechanical features

Housing type

Modular DIN rail  
mounting

Terminals type

Fixed

Fixing

35mm DIN rail or  
Screw fixing

Weight

g 332

### Ambient conditions

Temperature

Operating temperature

min	°C	-40
max	°C	+51

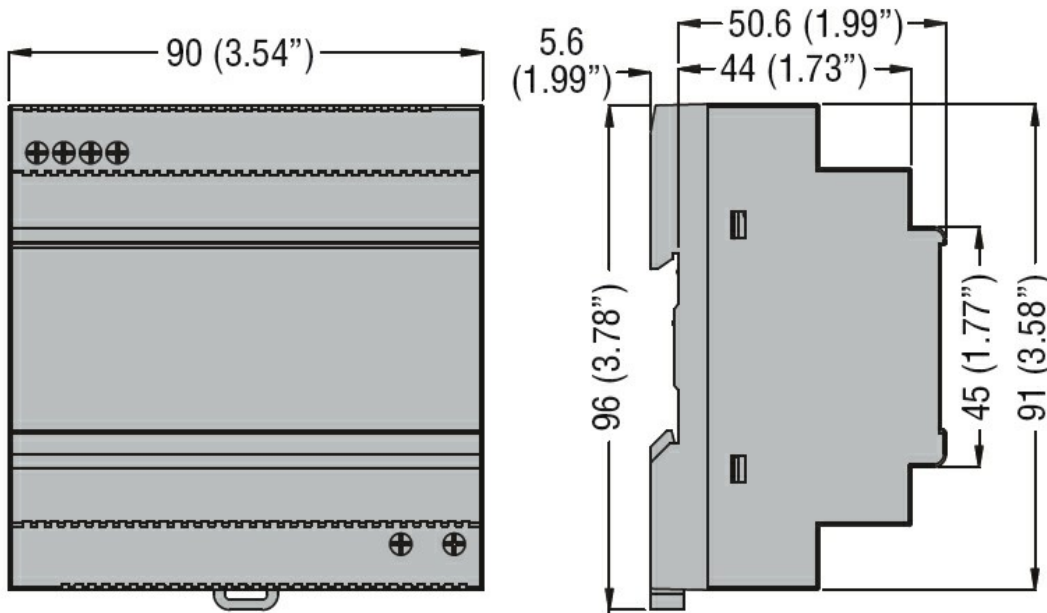
Storage temperature

min	°C	-40
max	°C	+85

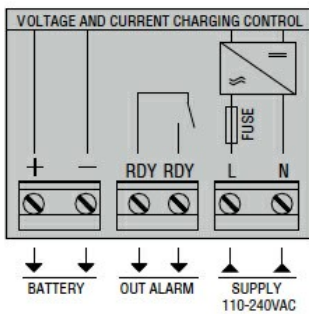
Protection degree

IP20

**Dimensions**



**Wiring diagrams**



**Certifications and compliance**

Compliance

IEC/EN/BS 60100-6-2

IEC/EN/BS 61000-6-3

IEC/EN/BS 62368-1

Certificates

cURus

EAC

**ETIM classification**

ETIM 8.0

EC000359 -  
Universal charger