



Power supply

Rated voltage U_s

min	VAC	110
Max	VAC	240 \pm 10%

Operational frequency

min	Hz	50 \pm 10%
max	Hz	60 \pm 10%

Power consumption

Max	VA	230
Max	W	97

Internal fuse

A	4
---	---

Charging cycle

Reference standards

IEC62368-1

Battery type

non-sealed and sealed lead-acid batteries

Battery voltage

VDC 12

Charging voltage (U_c)

in pos. V1:13.8; V2:13.5

Boost

% U_c +4.4

Charging current (I_c)

A 6

Charging current adjustment

% I_c 20 to 100

Protections

Main supply fuse; charging inhibition due to:
1. Short circuit at battery terminals;
2. Reverse battery polarity; 3. Low voltage at battery poles; 4. Output overload.

Indications

LED indicator for operating status

Yes

LED reverse battery polarity

Yes

Alarm output circuit

Output type

1 relay

Rated capacity

5A 30VDC

Mechanical features

Housing type

Internal panel mounting

Terminals type

Fixed

Fixing

35mm DIN rail or Screw fixing

Weight

g 532

Ambient conditions

Temperature

Operating temperature

min	°C	-30
max	°C	+55

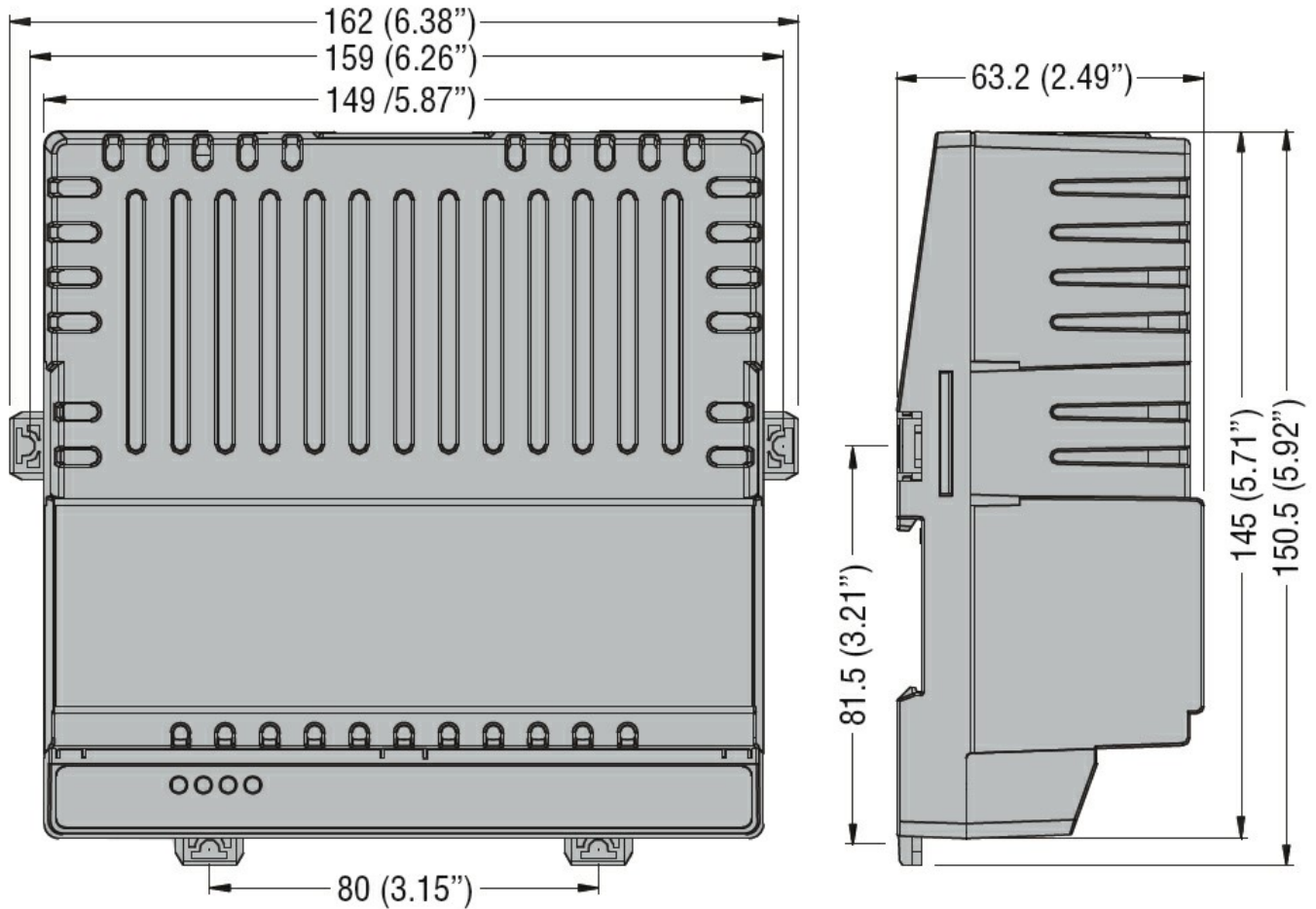
Storage temperature

min	°C	-30
max	°C	+80

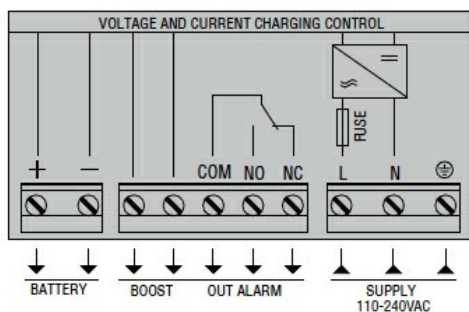
Protection degree

IP20

Dimensions



Wiring diagrams



Certifications and compliance

Compliance

- CSA C22.2 n°60950-1
- IEC/EN/BS 61000-6-2
- IEC/EN/BS 62368-1
- UL 60950-1

Certificates

cURus

EAC

ETIM classification

ETIM 8.0

EC000359 -
Universal charger