



### Power supply

Rated voltage  $U_s$

min	VAC	110
Max	VAC	240 $\pm$ 10%

Operational frequency

min	Hz	50 $\pm$ 10%
max	Hz	60 $\pm$ 10%

Power consumption

Max	VA	630
Max	W	311

Internal fuse

A	8
---	---

### Charging cycle

Reference standards

IEC62368-1

Battery type

non-sealed and sealed lead-acid batteries

Battery voltage

VDC 24

Charging voltage ( $U_c$ )

in pos. V1:27.6; V2:27.0

Boost

%  $U_c$  +4.4

Charging current ( $I_c$ )

A 10

Charging current adjustment

%  $I_c$  20 to 100

Protections

Main supply fuse; charging inhibition due to:  
1. Short circuit at battery terminals;  
2. Reverse battery polarity; 3. Low voltage at battery poles; 4. Output overload.

### Indications

LED indicator for operating status

Yes

LED reverse battery polarity

Yes

### Alarm output circuit

Output type

1 relay

Rated capacity

5A 30VDC

### Mechanical features

Housing type

Internal panel mounting

Terminals type

Fixed

Fixing

35mm DIN rail or Screw fixing

Weight

g 710

### Ambient conditions

Temperature

Operating temperature

min	°C	-30
max	°C	+55

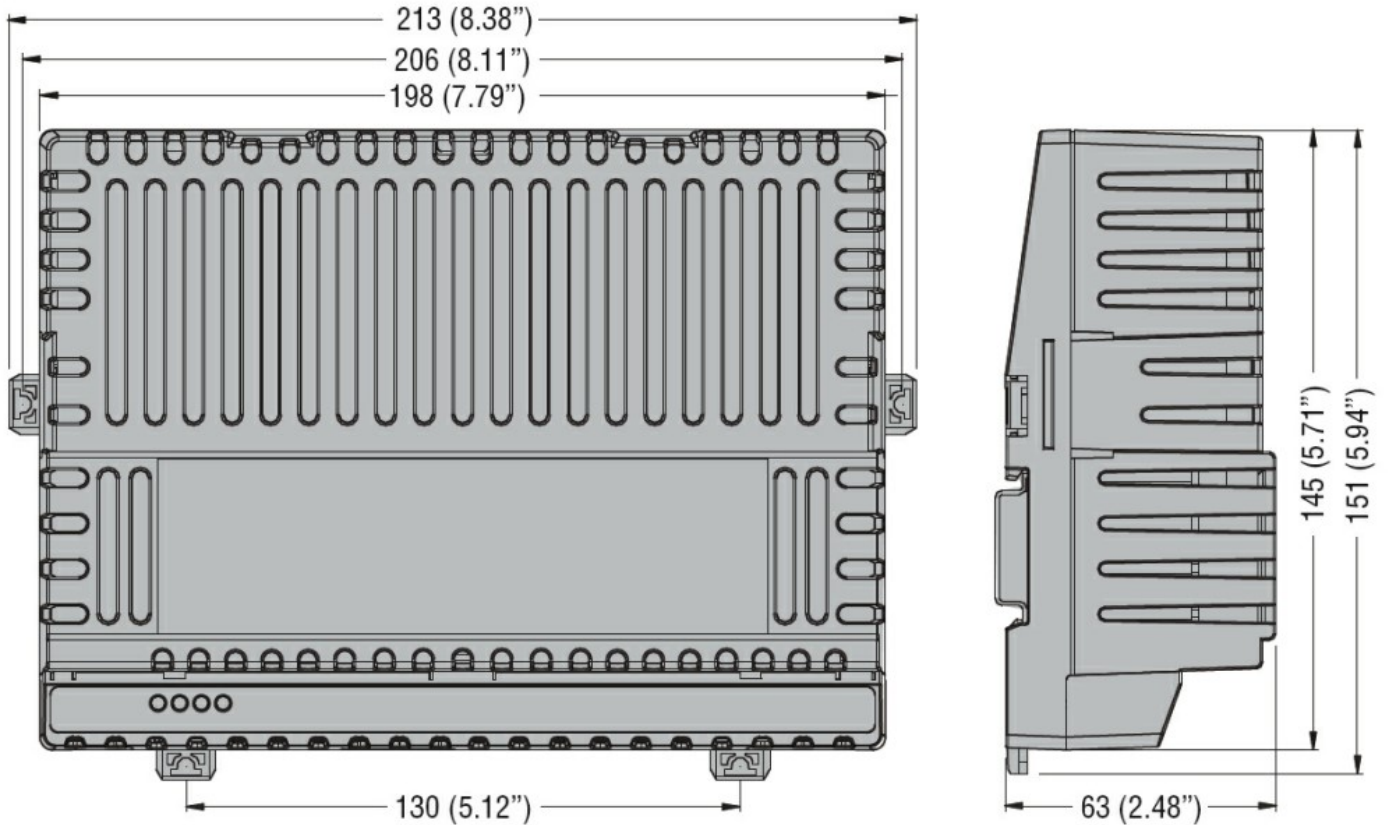
Storage temperature

min	°C	-30
max	°C	+80

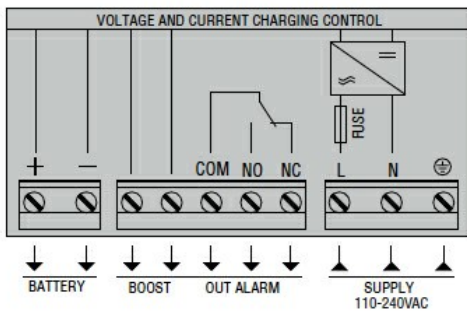
Protection degree

IP20

Dimensions



Wiring diagrams



Certifications and compliance

Compliance

- CSA C22.2 n°60950-1
- IEC/EN/BS 61000-6-2
- IEC/EN/BS 62368-1
- UL 60950-1

Certificates

- cURus
- EAC

ETIM classification

ETIM 8.0

EC000359 -  
Universal charger