



| Contact characteristics | | | |
|--|---------------------------------|-----------------|--------------------------|
| Number of poles | Nr. | 4 | |
| Rated insulation voltage U_i IEC/EN | V | 690 | |
| Rated impulse withstand voltage U_{imp} | kV | 6 | |
| Operational frequency | min | Hz | 25 |
| | max | Hz | 400 |
| IEC Conventional free air thermal current $I_{th} \leq 40^\circ\text{C}$ | A | 10 | |
| Protection fuse | gG (IEC) | A | 25 |
| | Tightening torque for terminals | | |
| | min | Nm | 1.5 |
| | max | Nm | 1.8 |
| | min | lbin | 1.1 |
| | max | lbin | 1.5 |
| Tightening torque for coil terminal | min | Nm | 0.8 |
| | max | Nm | 1 |
| | min | lbin | 0.8 |
| | max | lbin | 0.74 |
| Max number of wires simultaneously connectable | Nr. | 2 | |
| Conductor section | AWG/Kcmil | | |
| | max | 10 | |
| Flexible w/o lug conductor section | min | mm ² | 1 |
| | max | mm ² | 6 |
| Flexible c/w lug conductor section | min | mm ² | 1 |
| | max | mm ² | 4 |
| Flexible with insulated spade lug conductor section | min | mm ² | 1 |
| | max | mm ² | 4 |
| Power terminal protection according to IEC/EN 60529 | | | IP20 when properly wired |
| Mechanical features | | | |
| Operating position | normal | Vertical plan | |
| | allowable | $\pm 30^\circ$ | |
| Fixing | | | Screw / DIN rail 35mm |
| Weight | g | 496 | |
| Auxiliary contact characteristics | | | |
| Thermal current I_{th} | A | 10 | |
| IEC/EN 60947-5-1 designation | A600 - P600 | | |

| | | | |
|------------------------|------|---|-----|
| Operating current AC15 | 230V | A | 3 |
| | 400V | A | 1.9 |
| | 500V | A | 1.4 |

| | | | |
|------------------------|------|---|-----|
| Operating current DC12 | 110V | A | 5.7 |
|------------------------|------|---|-----|

| | | | |
|------------------------|------|---|------|
| Operating current DC13 | 24V | A | 5.7 |
| | 48V | A | 2.9 |
| | 60V | A | 2.3 |
| | 110V | A | 1.25 |
| | 125V | A | 1.1 |
| | 220V | A | 0.55 |
| | 600V | A | 0.2 |

Operations

| | | |
|-----------------|--------|----------|
| Mechanical life | cycles | 20000000 |
|-----------------|--------|----------|

Safety related data

| | | | |
|--|-----------------|--------|----------|
| Performance level B10d according to EN/ISO 13489-1 | mechanical load | cycles | 20000000 |
|--|-----------------|--------|----------|

| | |
|-------------------|-----|
| EMC compatibility | yes |
|-------------------|-----|

DC coil operating

| | | |
|--------------------------|---|----|
| DC rated control voltage | V | 24 |
|--------------------------|---|----|

| | | | | |
|----------------------|----------|-----|-----|-----|
| DC operating voltage | pick-up | min | %Us | 70 |
| | | max | %Us | 125 |
| | drop-out | min | %Us | 10 |
| | | max | %Us | 40 |

| | | | |
|--|---------|---|-----|
| Average coil consumption $\leq 20^{\circ}\text{C}$ | in-rush | W | 5.4 |
| | holding | W | 5.4 |

Max cycles frequency

| | | |
|----------------------|----------|------|
| Mechanical operation | cycles/h | 3600 |
|----------------------|----------|------|

Operating times

| | | | | |
|--------------------------------------|------------|-----|----|----|
| Average time for Us control in DC | Closing NO | min | ms | 54 |
| | | max | ms | 66 |
| | Opening NO | min | ms | 14 |
| | | max | ms | 17 |
| | Closing NC | min | ms | 24 |
| | | max | ms | 30 |
| | Opening NC | min | ms | 47 |
| | | max | ms | 57 |

UL technical data

| | | |
|-----------------------------------|---|-----|
| Rated operational voltage AC (UL) | V | 600 |
|-----------------------------------|---|-----|

| | | | | |
|-------------|--------------------|------------|---|----|
| General USE | Auxiliary contacts | AC current | A | 10 |
|-------------|--------------------|------------|---|----|

Contact rating of auxiliary contacts according to UL

A600 - P600

Ambient conditions

Temperature

Operating temperature

| | | |
|-----|----|-----|
| min | °C | -50 |
| max | °C | 70 |

Storage temperature

| | | |
|-----|----|-----|
| min | °C | -60 |
| max | °C | 80 |

Max altitude

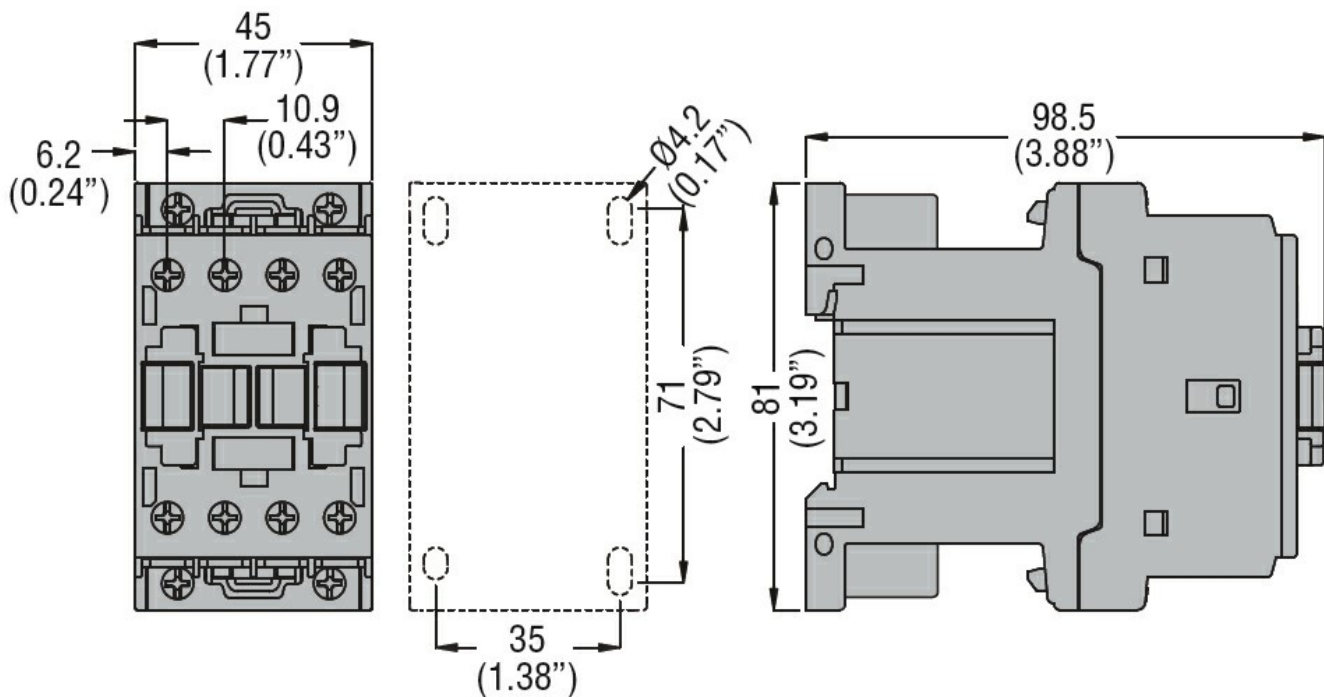
m 3000

Resistance & Protection

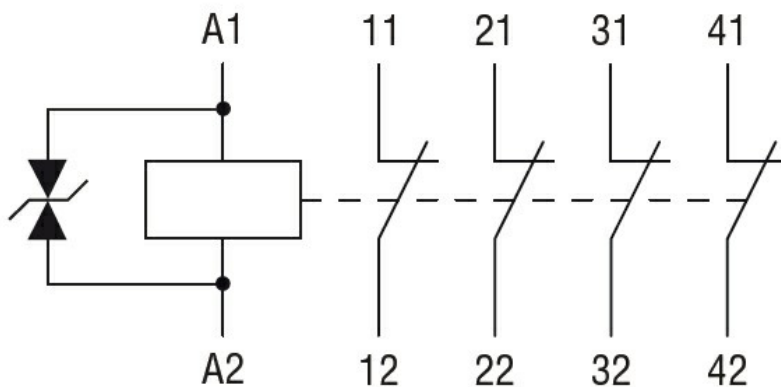
Pollution degree

3

Dimensions



Wiring diagrams



Certifications and compliance

Compliance

| |
|------------------------|
| CSA C22.2 n° 60947-1 |
| CSA C22.2 n° 60947-5-1 |
| IEC/EN 60947-1 |
| IEC/EN 60947-5-1 |
| UL 60947-1 |

| | |
|--------------|--------------|
| Certificates | UL 60947-5-1 |
| | CCC |
| | cULus |
| | EAC |

| | |
|---------------------|-------------------------------|
| ETIM classification | |
| ETIM 8.0 | EC000196 - Contactor relay |