



Contact characteristics

Number of poles	Nr.	4
Rated insulation voltage U_i IEC/EN	V	690
Rated impulse withstand voltage U_{imp}	kV	6
Operational frequency	min	Hz 25
	max	Hz 400
IEC Conventional free air thermal current $I_{th} \leq 40^\circ C$	A	10
Operational current I_e	AC-1 ($\leq 55^\circ C$)	A 0
	gG (IEC)	A 25
Tightening torque for terminals	min	Nm 1.5
	max	Nm 1.8
	min	lbin 1.1
	max	lbin 1.5
Tightening torque for coil terminal	min	Nm 0.8
	max	Nm 1
	min	lbin 0.8
	max	lbin 0.74
Max number of wires simultaneously connectable	Nr.	2
Conductor section	AWG/Kcmil	
	max	10
Flexible w/o lug conductor section	min	mm ² 1
	max	mm ² 6
Flexible c/w lug conductor section	min	mm ² 1
	max	mm ² 4
Flexible with insulated spade lug conductor section	min	mm ² 1
	max	mm ² 4
Power terminal protection according to IEC/EN 60529		IP20 when properly wired

Mechanical features

Operating position	normal allowable	Vertical plan $\pm 30^\circ$
		Screw / DIN rail 35mm
Fixing		
Weight	g	500

Auxiliary contact characteristics

Thermal current I _{th}		A	10
IEC/EN 60947-5-1 designation			A600 - P600
Operating current AC15			
	230V	A	3
	400V	A	1.9
	500V	A	1.4
Operating current DC12			
	110V	A	5.7
Operating current DC13			
	24V	A	5.7
	48V	A	2.9
	60V	A	2.3
	110V	A	1.25
	125V	A	1.1
	220V	A	0.55
	600V	A	0.2
Operations			
Mechanical life		cycles	20000000
Safety related data			
Performance level B10d according to EN/ISO 13489-1		mechanical load	cycles 20000000
EMC compatibility			yes
AC coil operating			
AC operating voltage			
	of 50/60Hz coil powered at 50Hz		
	drop-out		
		max	%Us 55
DC coil operating			
DC rated control voltage		V	48
DC operating voltage			
	pick-up		
		min	%Us 80
		max	%Us 110
	drop-out		
		min	%Us 10
		max	%Us 40
Average coil consumption ≤20°C			
		in-rush	W 2.4
		holding	W 2.4
Max cycles frequency			
Mechanical operation		cycles/h	3600
Operating times			
Average time for U _s control			
	in DC		
	Closing NO		
		min	ms 75
		max	ms 91
	Opening NO		
		min	ms 15
		max	ms 19
	Closing NC		
		min	ms 24
		max	ms 30

Opening NC

min	ms	67
max	ms	81

UL technical data

Rated operational voltage AC (UL)	V	600
-----------------------------------	---	-----

General USE

Auxiliary contacts

AC current	A	10
------------	---	----

Contact rating of auxiliary contacts according to UL	A600 - P600	
------------------------------------------------------	-------------	--

Ambient conditions

Temperature

Operating temperature

min	°C	-50
max	°C	70

Storage temperature

min	°C	-60
max	°C	80

Max altitude

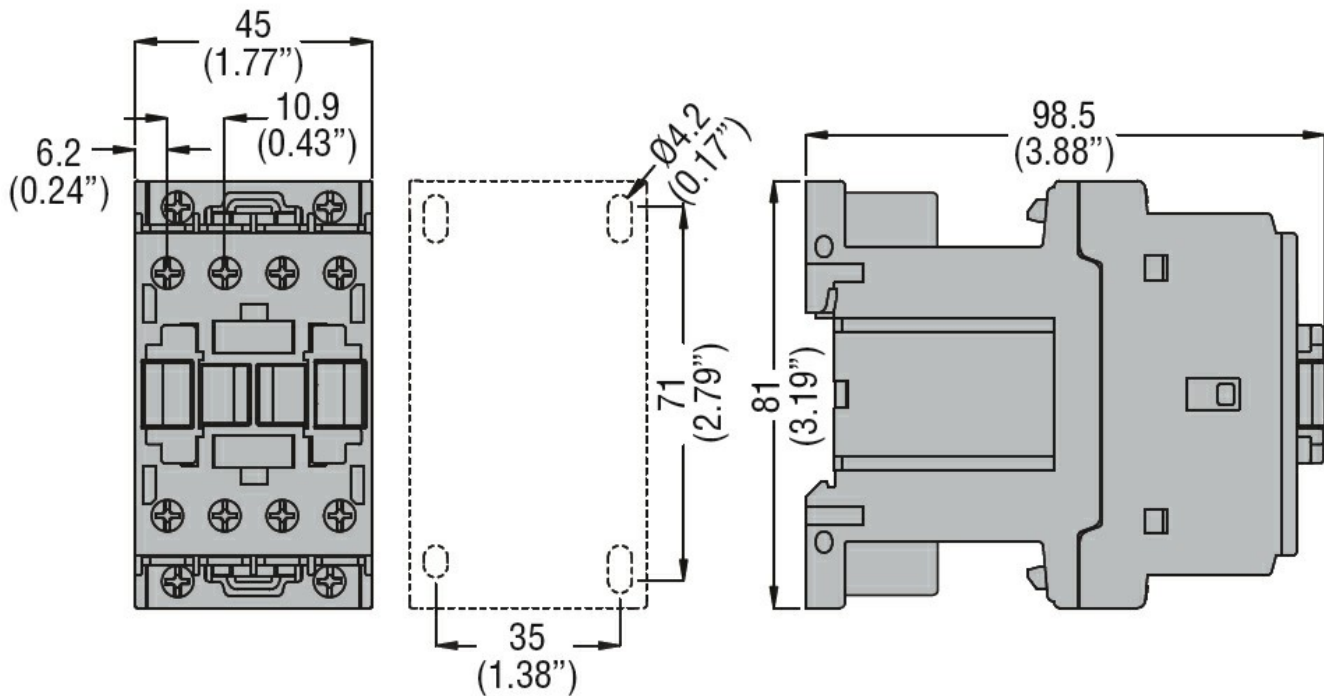
m	3000
---	------

Resistance & Protection

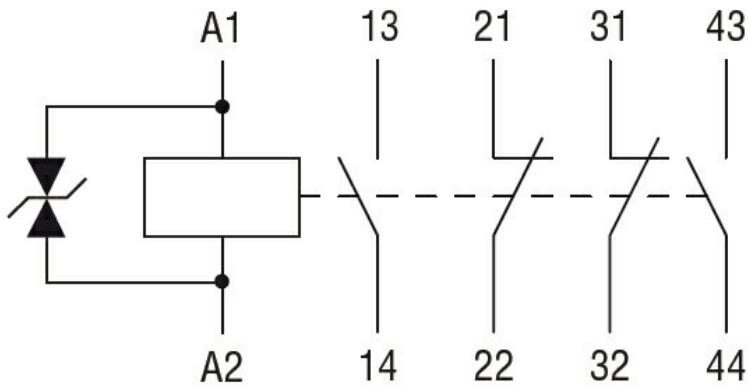
Pollution degree

3

Dimensions



Wiring diagrams



Certifications and compliance

Compliance

CSA C22.2 n° 60947-1

CSA C22.2 n° 60947-5-1

IEC/EN 60947-1

IEC/EN 60947-5-1

UL 60947-1

UL 60947-5-1

Certificates

CCC

cULus

EAC

ETIM classification

ETIM 8.0

EC000196 -
 Contactor relay