



Contact characteristics

| | | |
|---|--------------------|--------|
| Number of poles | Nr. | 3 |
| Rated insulation voltage U _i IEC/EN | V | 690 |
| Rated impulse withstand voltage U _{imp} | kV | 6 |
| Operational frequency | min | Hz 25 |
| | max | Hz 400 |
| IEC Conventional free air thermal current I _{th} ≤ 40°C | A | 25 |
| Operational current I _e | AC-1 (≤40°C) | A 25 |
| | AC-1 (≤55°C) | A 20 |
| | AC-1 (≤70°C) | A 18 |
| | AC-3 (≤440V ≤55°C) | A 9 |
| | AC-4 (400V) | A 4.9 |
| Rated operational power AC-3 (T≤55°C) | 230V | kW 2.2 |
| | 400V | kW 4.2 |
| | 415V | kW 4.5 |
| | 440V | kW 4.8 |
| | 500V | kW 5.5 |
| | 690V | kW 7.5 |
| Rated operational power AC-1 (T≤40°C) | 230V | kW 9.5 |
| | 400V | kW 16 |
| | 500V | kW 21 |
| | 690V | kW 27 |
| IEC max current I _e in DC1 with L/R ≤ 1ms with 1 poles in series | ≤24V | A 15 |
| | 48V | A 13 |
| | 75V | A 12 |
| | 110V | A 6 |
| | 220V | A – |
| IEC max current I _e in DC1 with L/R ≤ 1ms with 2 poles in series | ≤24V | A 18 |
| | 48V | A 18 |
| | 75V | A 17 |
| | 110V | A 12 |
| | 220V | A 1 |
| IEC max current I _e in DC1 with L/R ≤ 1ms with 3 poles in series | ≤24V | A 20 |
| | 48V | A 20 |
| | 75V | A 20 |
| | 110V | A 15 |
| | 220V | A 10 |
| IEC max current I _e in DC1 with L/R ≤ 1ms with 4 poles in series | | |

| | | | |
|--|-----------------|------------------|------|
| | ≤24V | A | 20 |
| | 48V | A | 20 |
| | 75V | A | 20 |
| | 110V | A | 16 |
| | 220V | A | 12 |
| <hr/> | | | |
| IEC max current I _e in DC3-DC5 with L/R ≤ 15ms with 1 poles in series | ≤24V | A | 10 |
| | 48V | A | 9 |
| | 75V | A | 8 |
| | 110V | A | 2 |
| | 220V | A | – |
| <hr/> | | | |
| IEC max current I _e in DC3-DC5 with L/R ≤ 15ms with 2 poles in series | ≤24V | A | 13 |
| | 48V | A | 11 |
| | 75V | A | 10 |
| | 110V | A | 7 |
| | 220V | A | 2 |
| <hr/> | | | |
| IEC max current I _e in DC3-DC5 with L/R ≤ 15ms with 3 poles in series | ≤24V | A | 15 |
| | 48V | A | 15 |
| | 75V | A | 13 |
| | 110V | A | 11 |
| | 220V | A | 6 |
| <hr/> | | | |
| IEC max current I _e in DC3-DC5 with L/R ≤ 15ms with 4 poles in series | ≤24V | A | 15 |
| | 48V | A | 15 |
| | 75V | A | 15 |
| | 110V | A | 12 |
| | 220V | A | 7 |
| <hr/> | | | |
| Short-time allowable current for 10s (IEC/EN60947-1) | | A | 150 |
| <hr/> | | | |
| Protection fuse | gG (IEC) | A | 25 |
| | aM (IEC) | A | 10 |
| <hr/> | | | |
| Making capacity (RMS value) | | A | 90 |
| <hr/> | | | |
| Breaking capacity at voltage | 440V | A | 72 |
| | 500V | A | 72 |
| | 690V | A | 71 |
| <hr/> | | | |
| Resistance per pole (average value) | | mΩ | 2.5 |
| <hr/> | | | |
| Power dissipation per pole (average value) | I _{th} | W | 1.6 |
| | AC-3 | W | 0.2 |
| <hr/> | | | |
| Tightening torque for terminals | min | Nm | 1.5 |
| | max | Nm | 1.8 |
| | min | I _{bin} | 1.1 |
| | max | I _{bin} | 1.5 |
| <hr/> | | | |
| Tightening torque for coil terminal | min | Nm | 0.8 |
| | max | Nm | 1 |
| | min | I _{bin} | 0.8 |
| | max | I _{bin} | 0.74 |
| <hr/> | | | |
| Max number of wires simultaneously connectable | | Nr. | 2 |

| | | | |
|---|------------------|--------|--------------------------|
| Conductor section | | | |
| AWG/Kcmil | | max | 10 |
| Flexible w/o lug conductor section | | | |
| | | min | mm ² 1 |
| | | max | mm ² 6 |
| Flexible c/w lug conductor section | | | |
| | | min | mm ² 1 |
| | | max | mm ² 4 |
| Flexible with insulated spade lug conductor section | | | |
| | | min | mm ² 1 |
| | | max | mm ² 4 |
| Power terminal protection according to IEC/EN 60529 | | | IP20 when properly wired |
| Cable stripping length | | | |
| | main circuit | mm | 10 |
| | command circuit | mm | 8 |
| Mechanical features | | | |
| Operating position | | | |
| | normal allowable | | Vertical plan ±30° |
| Fixing | | | Screw / DIN rail 35mm |
| Weight | | | g 500 |
| Auxiliary contact characteristics | | | |
| Thermal current I _{th} | | | A 10 |
| IEC/EN 60947-5-1 designation | | | A600 - P600 |
| Operating current AC15 | | | |
| | 230V | A | 3 |
| | 400V | A | 1.9 |
| | 500V | A | 1.4 |
| Operating current DC12 | | | |
| | 110V | A | 5.7 |
| Operating current DC13 | | | |
| | 24V | A | 5.7 |
| | 48V | A | 2.9 |
| | 60V | A | 2.3 |
| | 110V | A | 1.25 |
| | 125V | A | 1.1 |
| | 220V | A | 0.55 |
| | 600V | A | 0.2 |
| Operations | | | |
| Mechanical life | | | cycles 20000000 |
| Electrical life | | | cycles 2000000 |
| Safety related data | | | |
| Performance level B10d according to EN/ISO 13489-1 | | | |
| | rated load | cycles | 2000000 |
| | mechanical load | cycles | 20000000 |
| EMC compatibility | | | yes |
| DC coil operating | | | |
| DC rated control voltage | | | V 24 |
| DC operating voltage | | | |
| | pick-up | | |

| | | | | |
|--|------------|------------|-----|---------------|
| | | min | %Us | 80 |
| | | max | %Us | 110 |
| drop-out | | | | |
| | | min | %Us | 10 |
| | | max | %Us | 40 |
| Average coil consumption ≤20°C | | | | |
| | | in-rush | W | 2.4 |
| | | holding | W | 2.4 |
| Max cycles frequency | | | | |
| Mechanical operation | | | | cycles/h 3600 |
| Operating times | | | | |
| Average time for Us control | | | | |
| in AC | | | | |
| | Closing NO | min | ms | 8 |
| | | max | ms | 24 |
| | Opening NO | min | ms | 10 |
| | | max | ms | 20 |
| | Closing NC | min | ms | 14 |
| | | max | ms | 28 |
| | Opening NC | min | ms | 7 |
| | | max | ms | 18 |
| in DC | | | | |
| | Closing NO | min | ms | 75 |
| | | max | ms | 91 |
| | Opening NO | min | ms | 15 |
| | | max | ms | 19 |
| UL technical data | | | | |
| Rated operational voltage AC (UL) | | | | V 600 |
| Full-load current (FLA) for three-phase AC motor | | | | |
| | | at 480V | A | 7.6 |
| | | at 600V | A | 9 |
| Yielded mechanical performance | | | | |
| for single-phase AC motor | | | | |
| | | 110/120V | HP | 0.75 |
| | | 230V | HP | 2 |
| for three-phase AC motor | | | | |
| | | 200/208V | HP | 3 |
| | | 220/240V | HP | 3 |
| | | 460/480V | HP | 5 |
| | | 575/600V | HP | 7.5 |
| General USE | | | | |
| Contactor | | | | |
| | | AC current | A | 25 |
| Auxiliary contacts | | | | |
| | | AC voltage | V | 600 |
| | | AC current | A | 10 |
| | | DC voltage | V | 250 |
| | | DC current | A | 1 |

Short-circuit protection fuse, 600V
High fault

| | | |
|-----------------------|----|-----|
| Short circuit current | kA | 100 |
| Fuse rating | A | 30 |
| Fuse class | | J |

Standard fault

| | | |
|-----------------------|----|----|
| Short circuit current | kA | 5 |
| Fuse rating | A | 60 |

Contact rating of auxiliary contacts according to UL

A600 - P600

Ambient conditions

Temperature

Operating temperature

| | | |
|-----|----|-----|
| min | °C | -50 |
| max | °C | 70 |

Storage temperature

| | | |
|-----|----|-----|
| min | °C | -60 |
| max | °C | 80 |

Max altitude

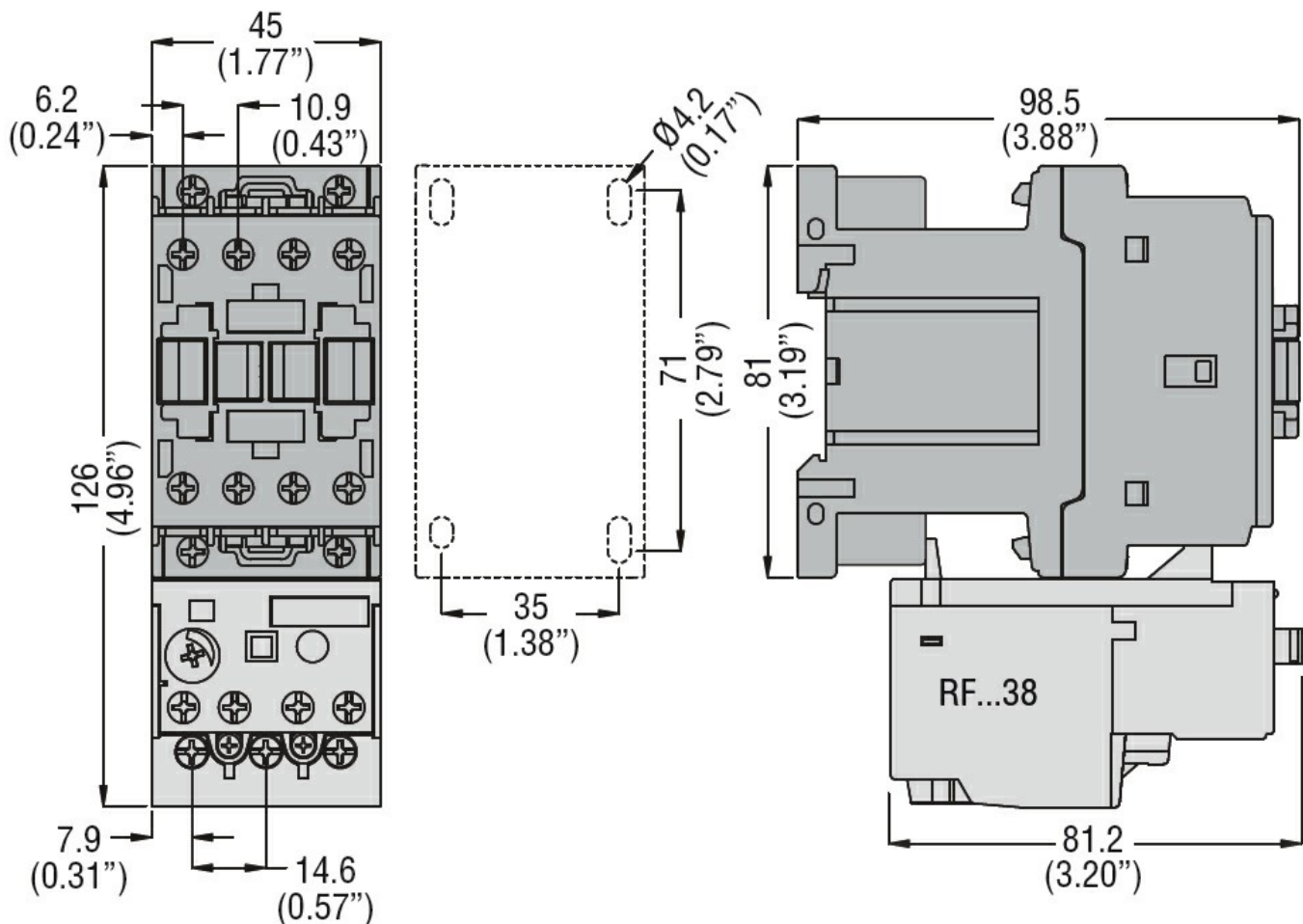
m 3000

Resistance & Protection

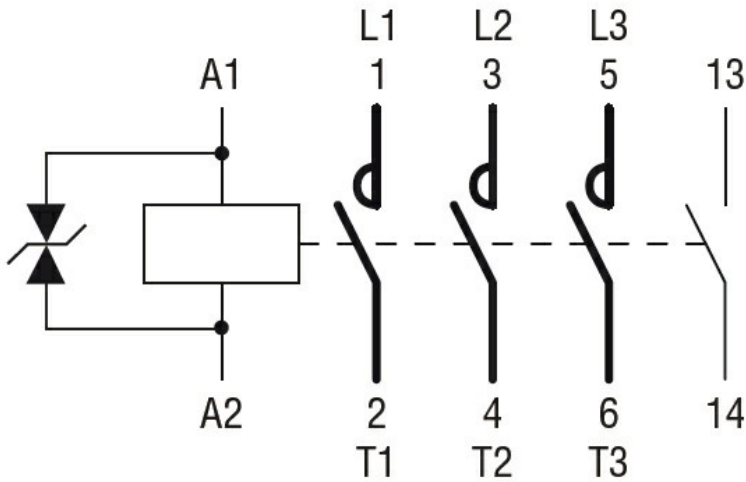
Pollution degree

3

Dimensions



Wiring diagrams



Certifications and compliance

Compliance

- CSA C22.2 n° 60947-1
- CSA C22.2 n° 60947-4-1
- IEC/EN 60335-2-89
- IEC/EN/BS 60947-1
- IEC/EN/BS 60947-4-1
- UL 60947-1
- UL 60947-4-1

Certificates

- CCC
- CSA C22.2 n. 60335-2-40:22 LZGH A2L
- CSA C22.2 No. 60335-2-89:21 LZGH A2L
- cULus
- EAC
- UL 60335-2-40 LZGH A2L
- UL 60335-2-89 LZGH A2L

ETIM classification

ETIM 8.0

EC000066 -
 Power contactor,
 AC switching